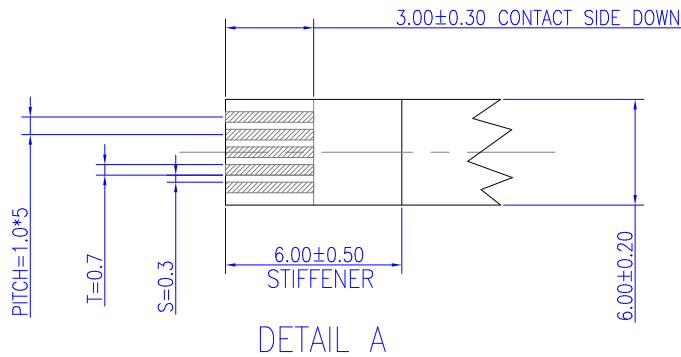
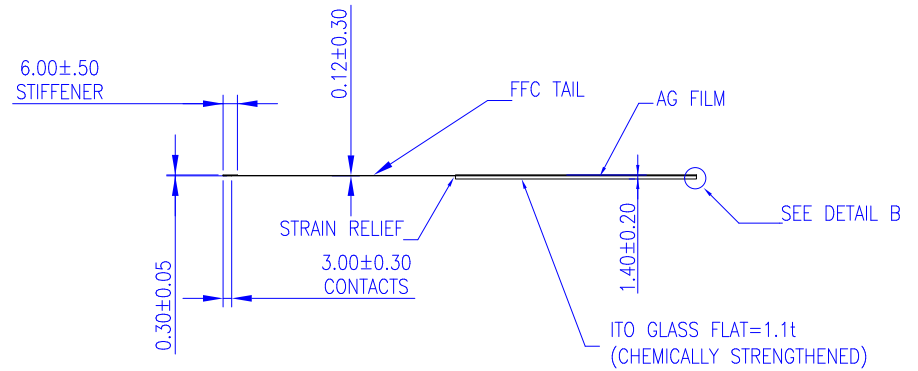
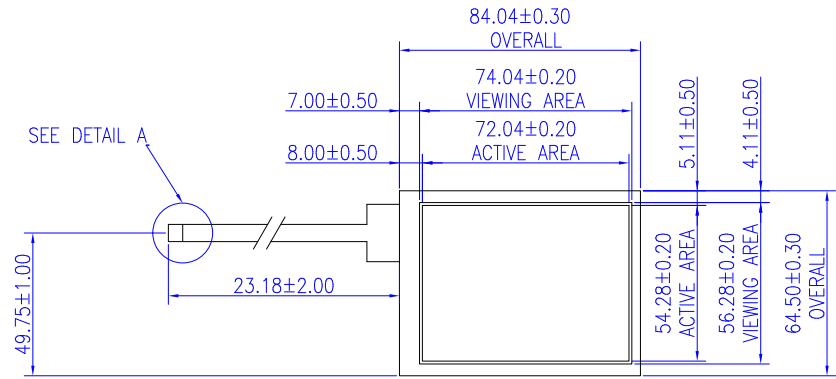
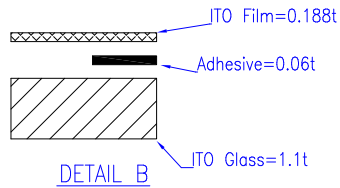
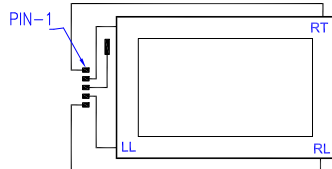


REVISION HISTORY	REV.	DATE	REVISOR	CHANGE
	A	10/04/11	PEH	UPDATED PRINT LAYOUT



CONNECTOR PINOUT	
PIN NO.	DESIGNATION
1	RT
2	LT
3	SENSE
4	LL
5	RL



TOLERANCE	AS SPEC'D	DRAWN	PEH	DATE	10/04/11
SCALE AS "A"	2/5 X	CHECKED	PBC	DATE	10/14/11
SHT. SIZE: C+	UNITS: mm	APPROVED		DATE	

PART DESCRIPTION	3.5' 5-WIRE TOUCH SCREEN		
PART NO.	400333	Rev.	Version
		-	A