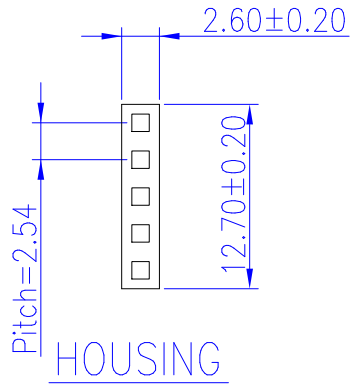
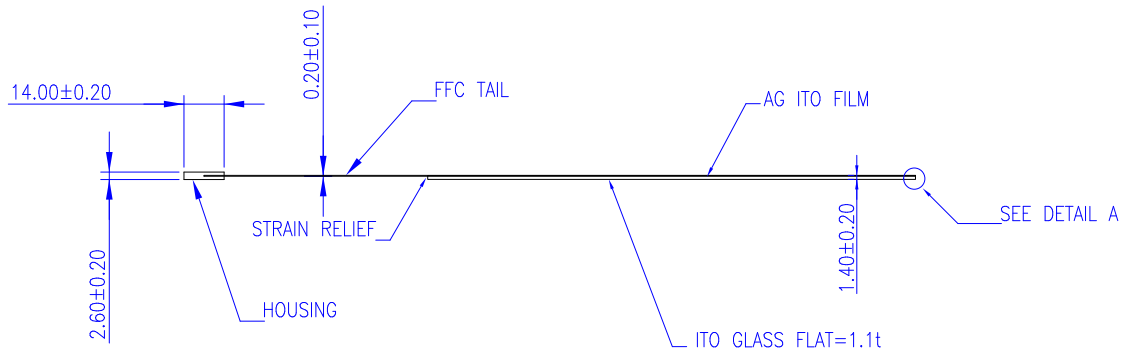
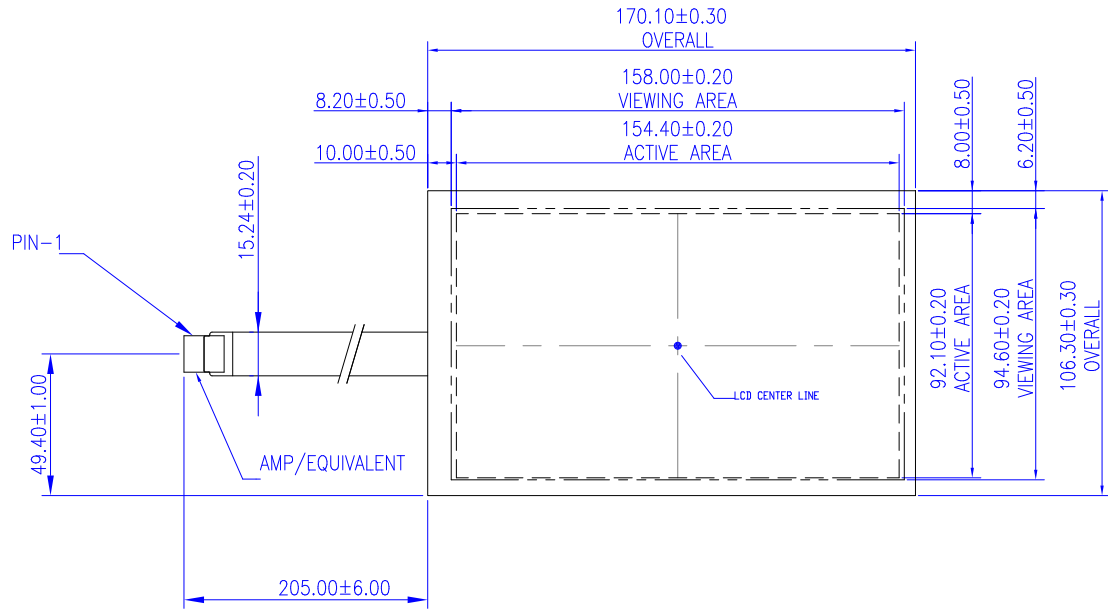
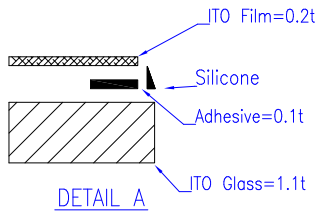
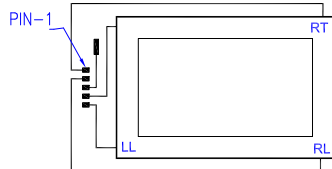



REVISION HISTORY	REV.	DATE	REVISOR	CHANGE
	A	10/05/11	PEH	UPDATED PRINT LAYOUT



CONNECTOR PINOUT	
PIN NO.	DESIGNATION
1	RT
2	RL
3	SENSE
4	LT
5	LL



 CANNON FALLS, MN 55009	TOLERANCE	AS SPEC'D	DRAWN	PEH	DATE	10/04/11	PART DESCRIPTION	7.0" 5-WIRE TOUCH SCREEN	
	SCALE AS "A"	2/5 X	CHECKED	PBC	DATE	10/12/11		PART NO.	400397
	SHT. SIZE: C+	UNITS: mm	APPROVED		DATE				