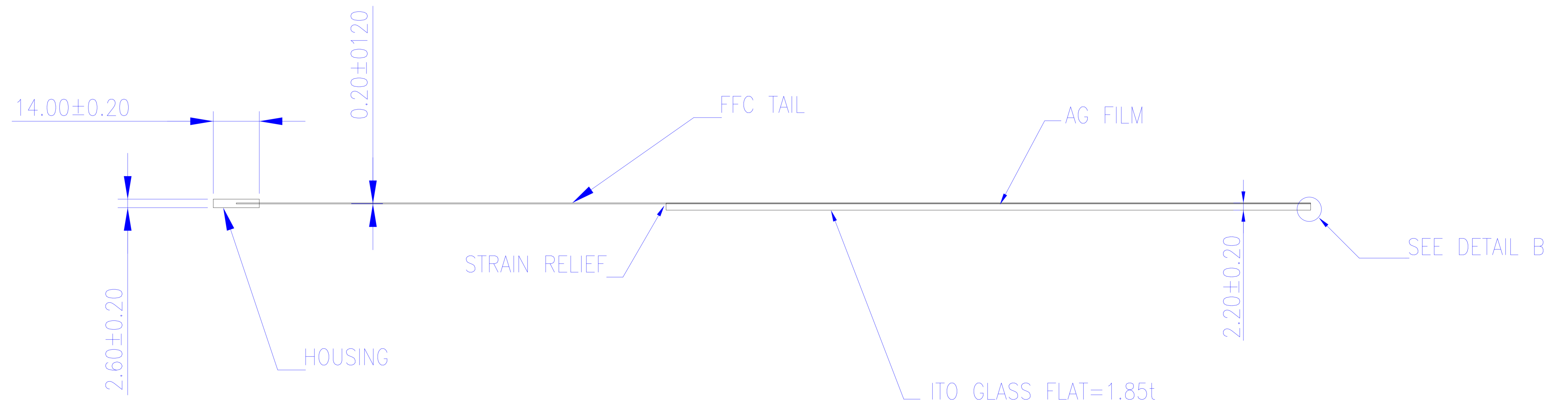
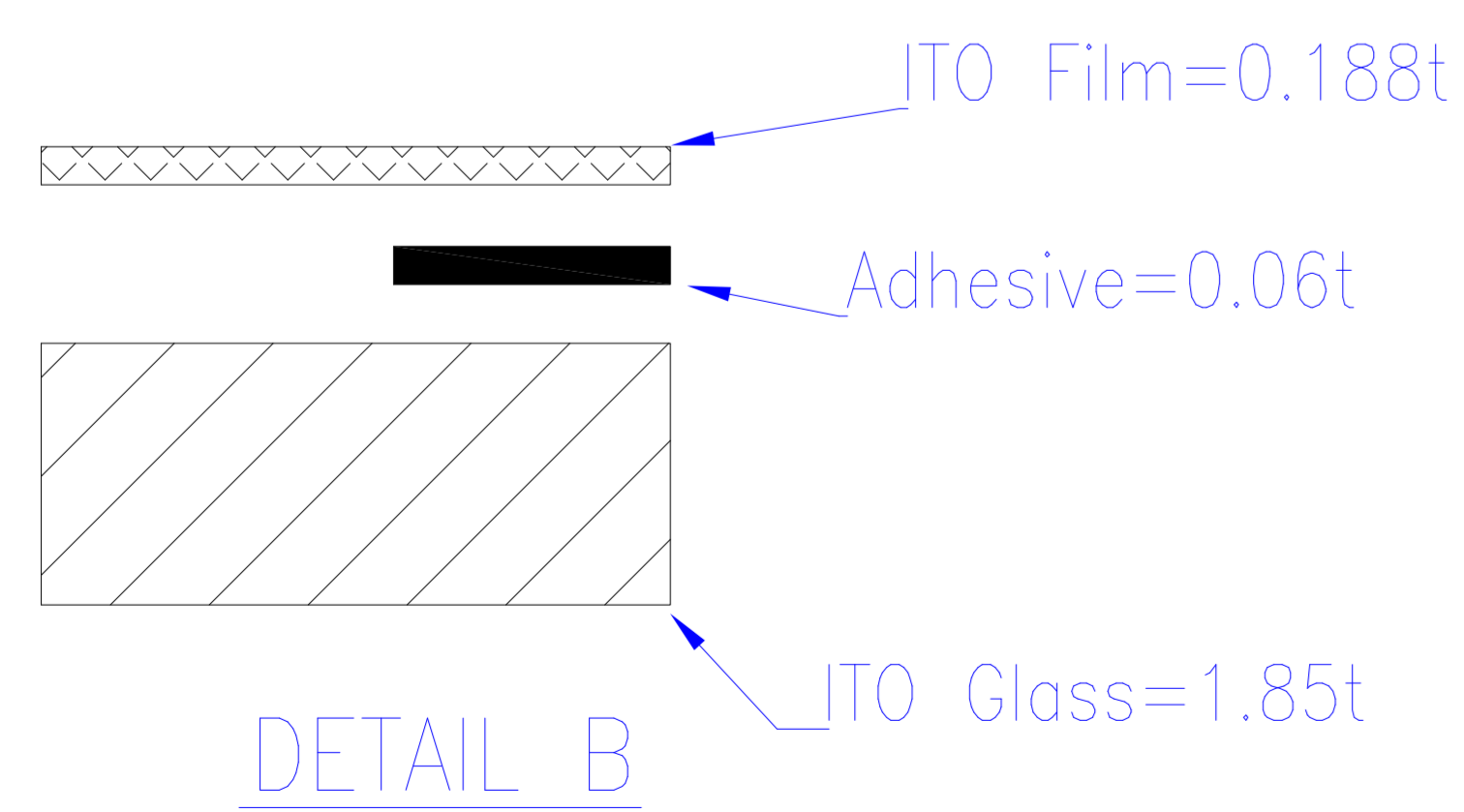
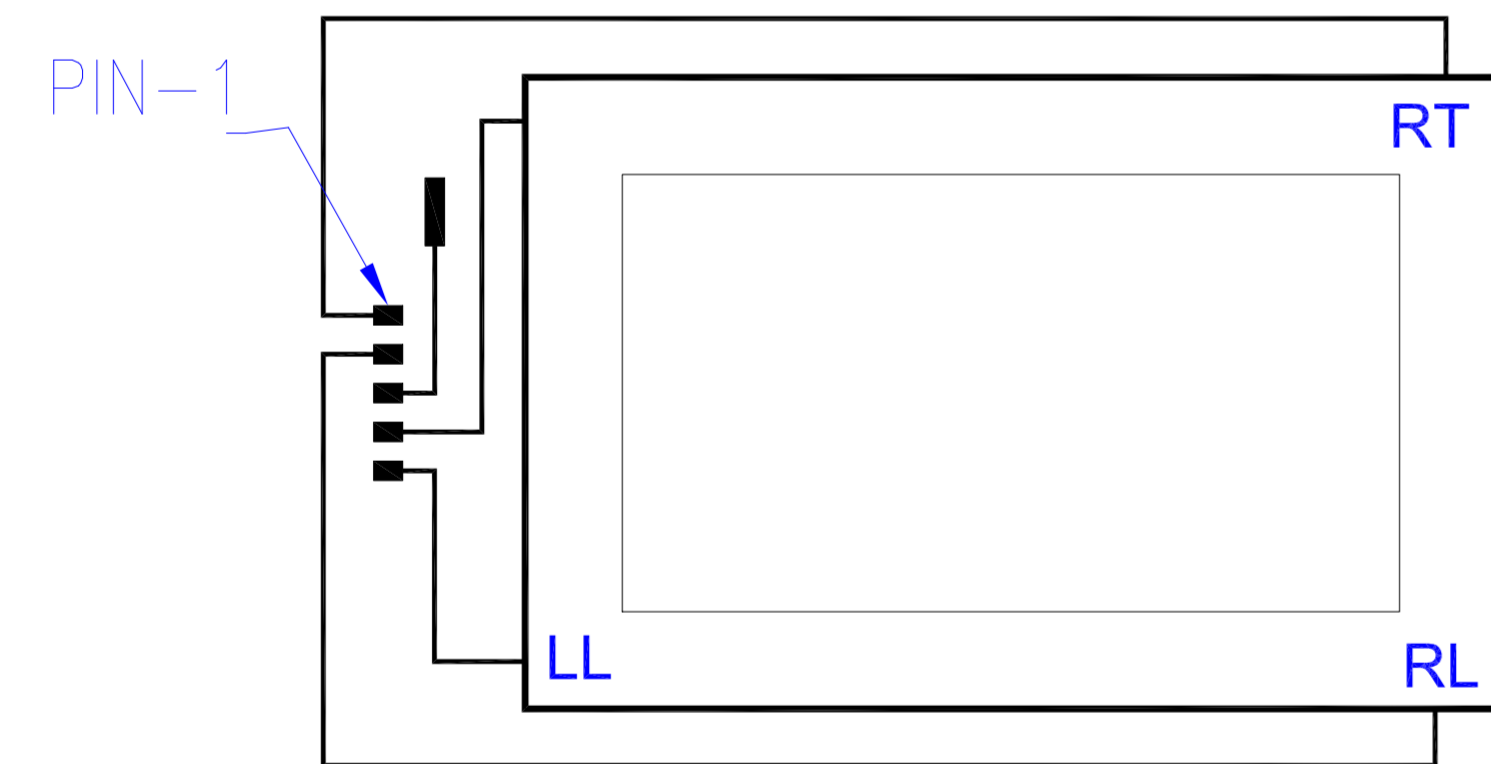
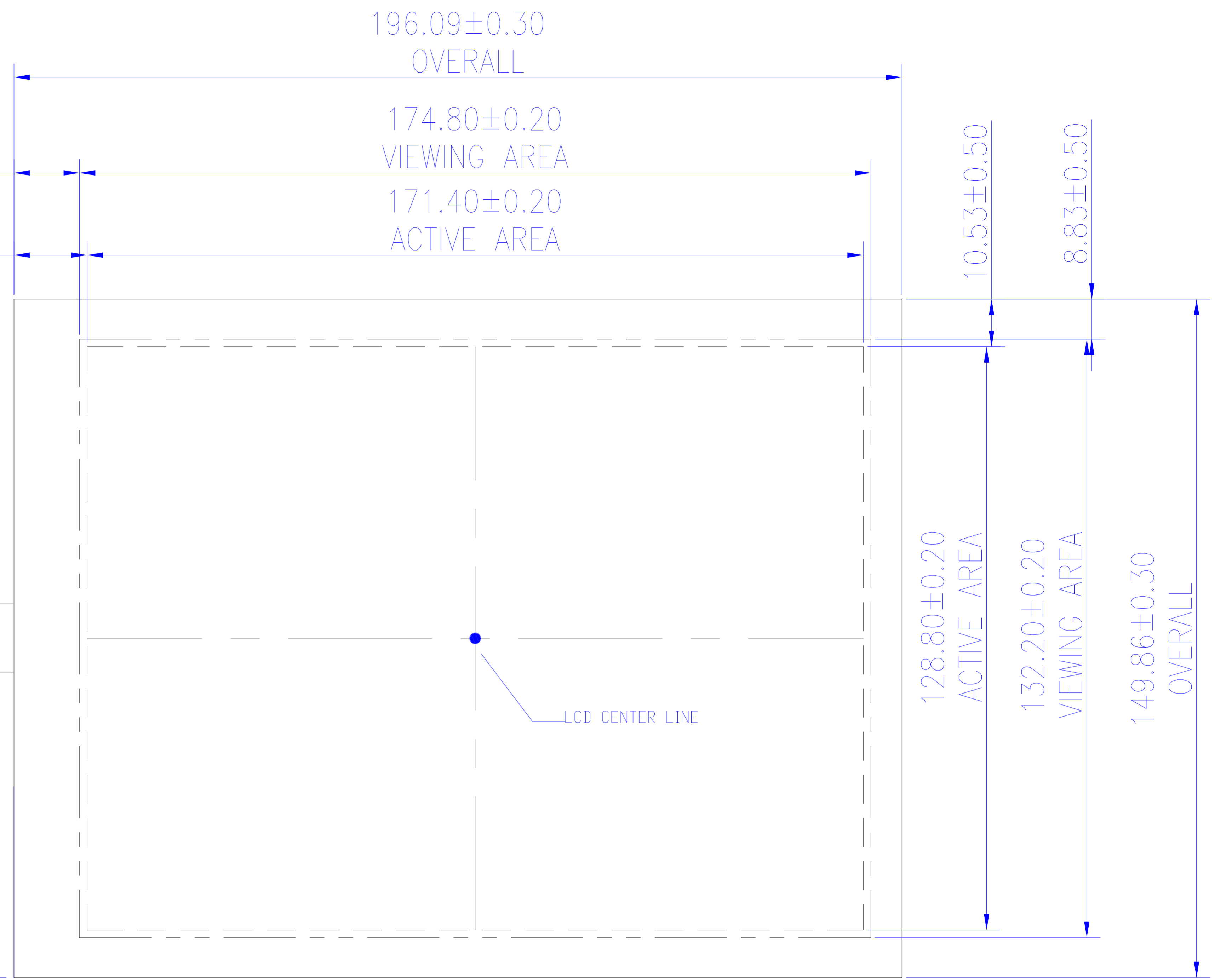
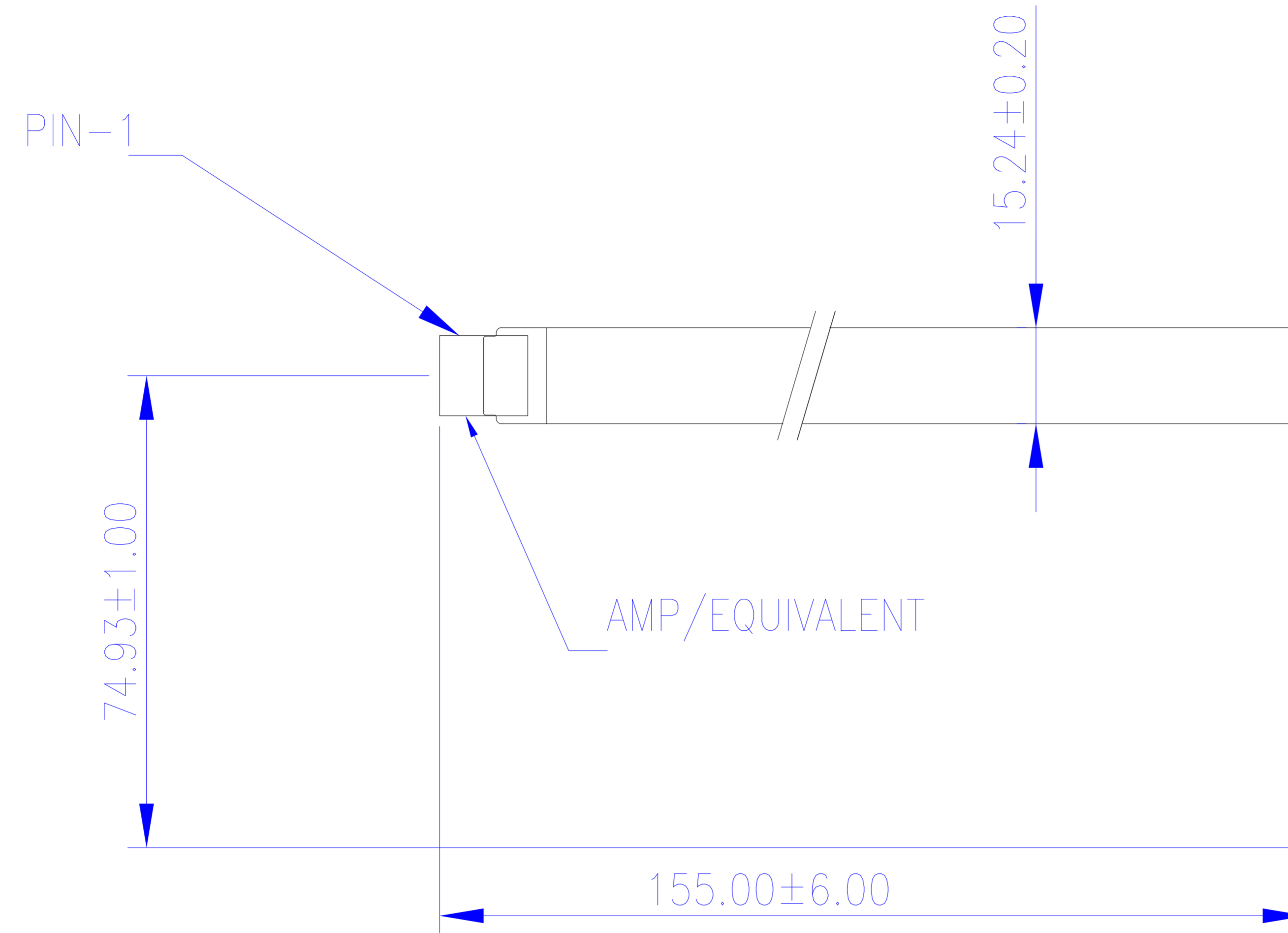


CONNECTOR PINOUT	
PIN NO.	DESIGNATION
1	RT
2	RL
3	SENSE
4	LT
5	LL



TOLERANCE	AS SPEC'D	DRAWN	PEH	DATE	10/04/11
SCALE AS "A"	2/5 X	CHECKED	PBC	DATE	10/12/11
SHT. SIZE: C+	UNITS: mm	APPROVED		DATE	

PART DESCRIPTION	8.4" 5-WIRE TOUCH SCREEN
PART NO.	400399
Rev.	-
Version	A