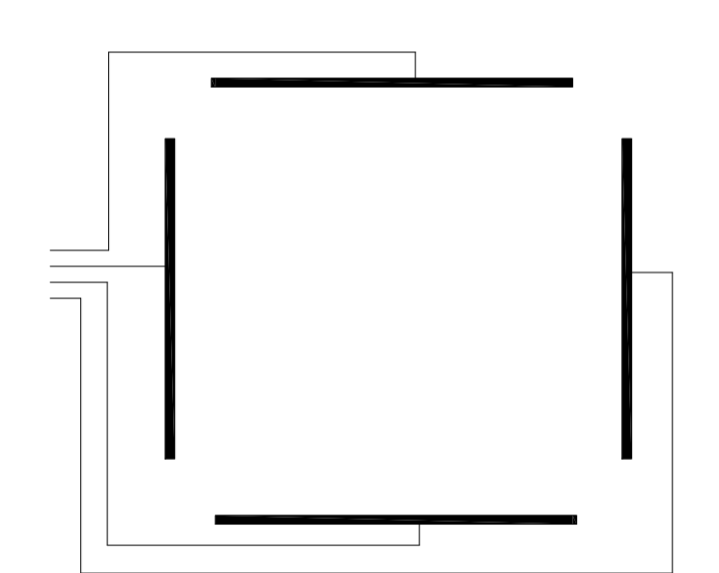
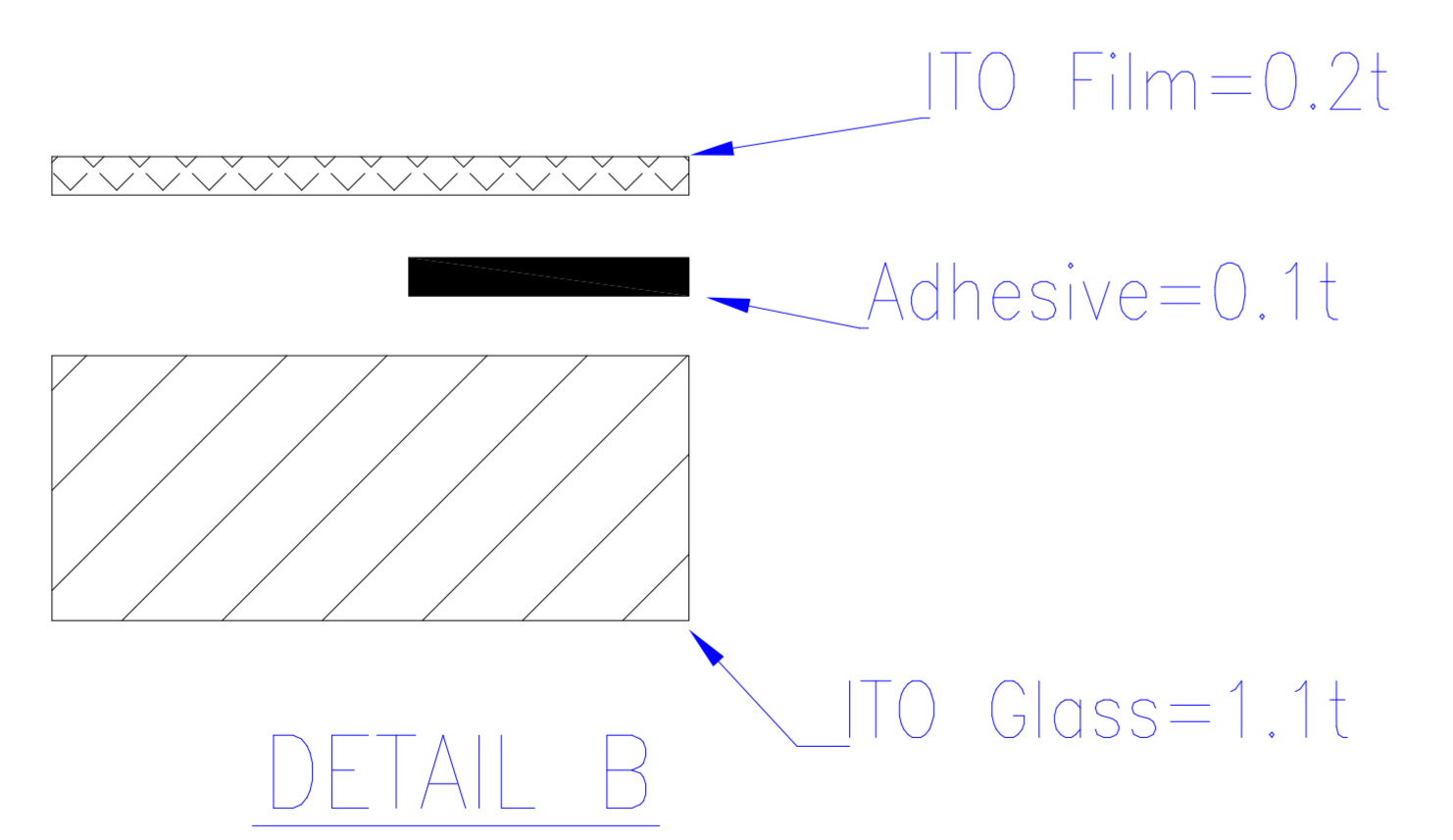


DETAIL A
SCALE 4.0

CONNECTOR PINOUT	
PIN NO.	DESIGNATION
1	BOTTOM
2	LEFT
3	TOP
4	RIGHT



PIN DIAGRAM



DETAIL B

