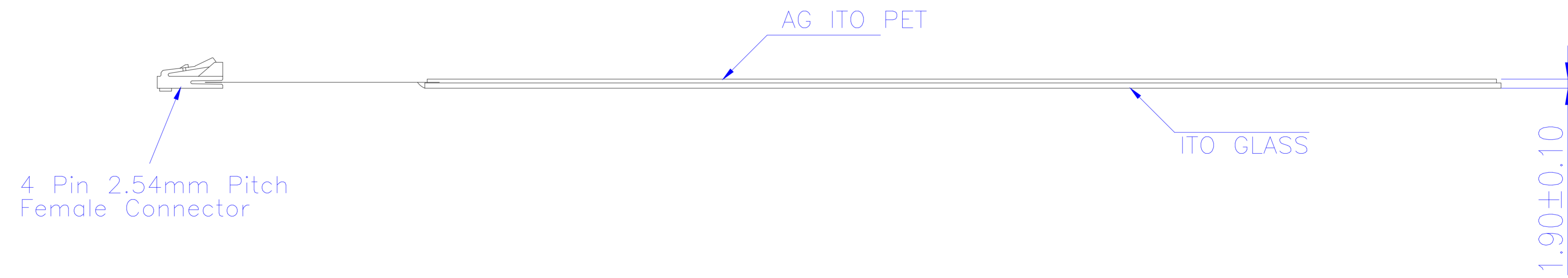
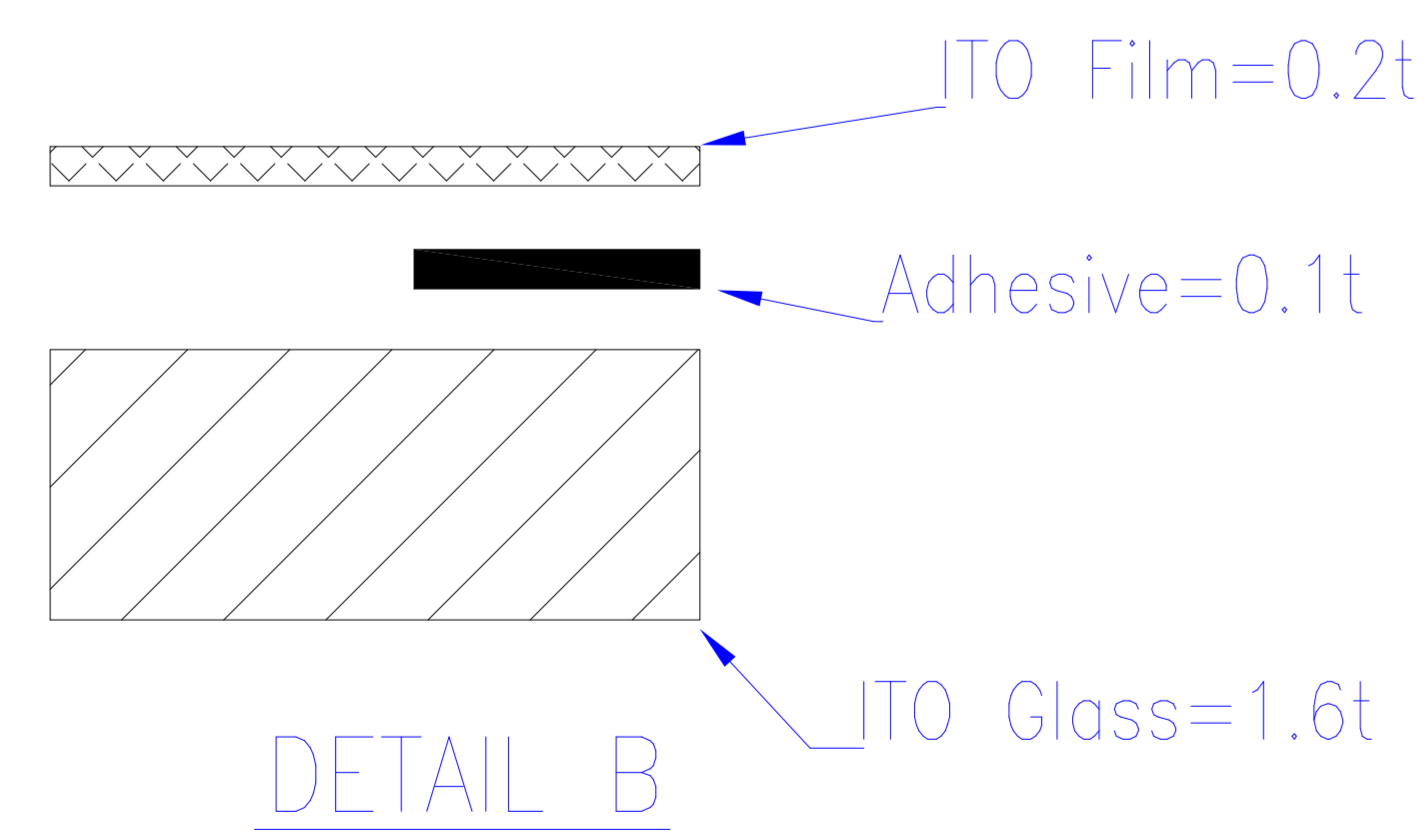
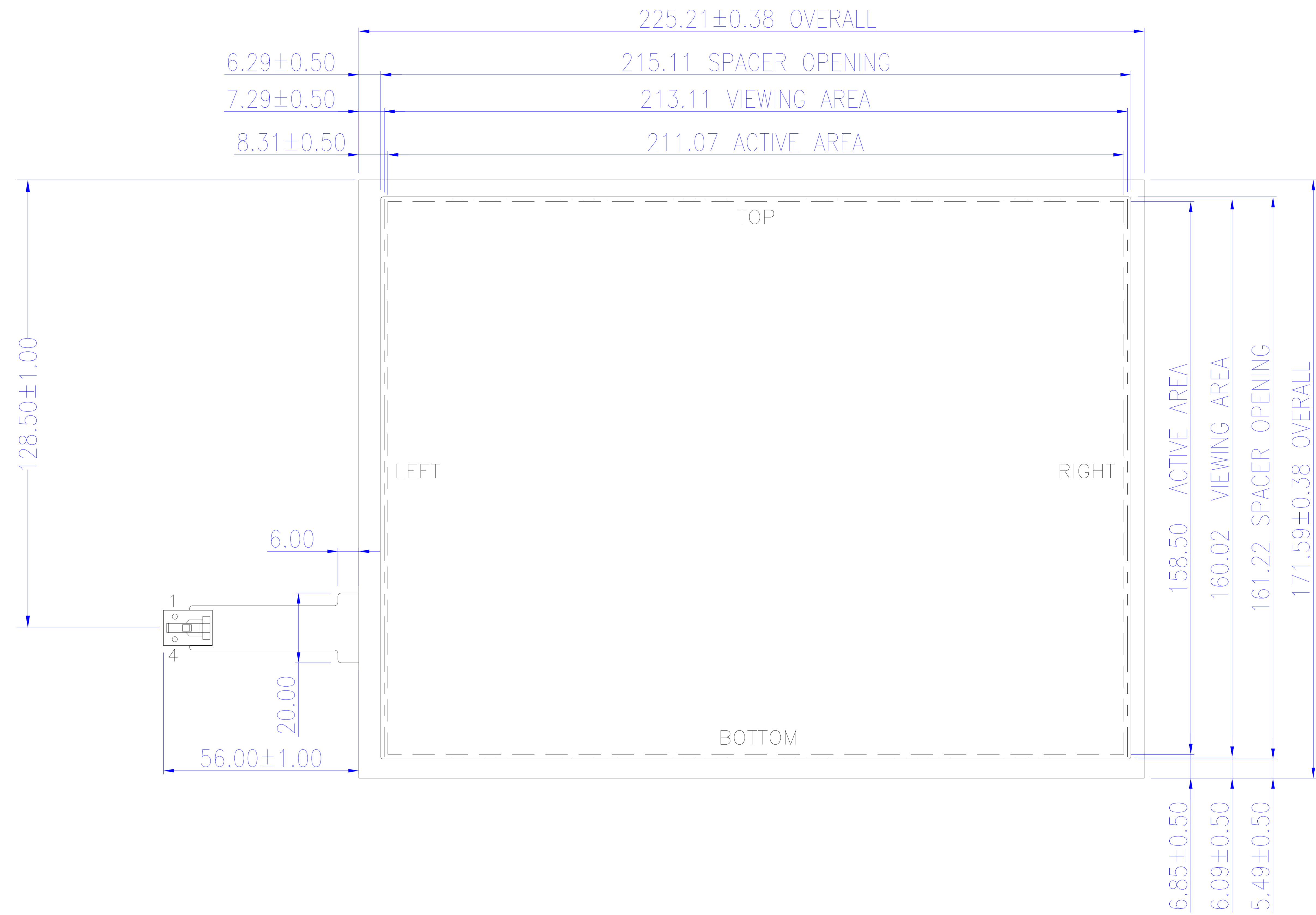
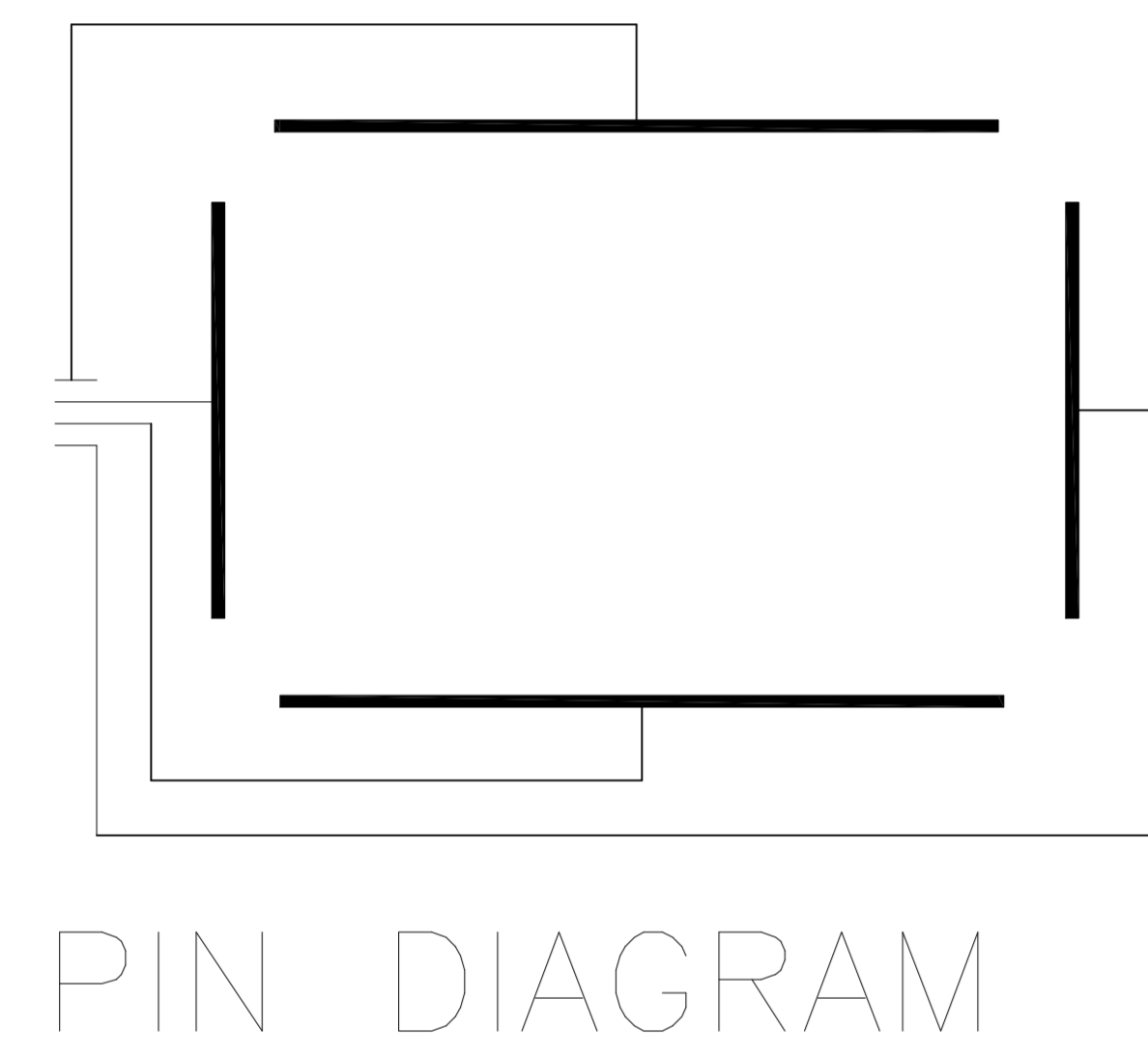


REVISION HISTORY	REV.	DATE	REVISOR	CHANGE
	A	10/11/11	PEH	UPDATED PRINT LAYOUT

CONNECTOR PINOUT	
PIN NO.	DESIGNATION
1	TOP
2	LEFT
3	BOTTOM
4	RIGHT



TOLERANCE	±0.50	DRAWN	PEH	DATE	10/11/11
SCALE AS "A"	2/5 X	CHECKED	PBC	DATE	10/12/11
SHT. SIZE: C+	UNITS: mm	APPROVED		DATE	

PART DESCRIPTION	10.4" 4-WIRE TOUCH SCREEN	
PART NO.	400429	
Rev.	—	Version A