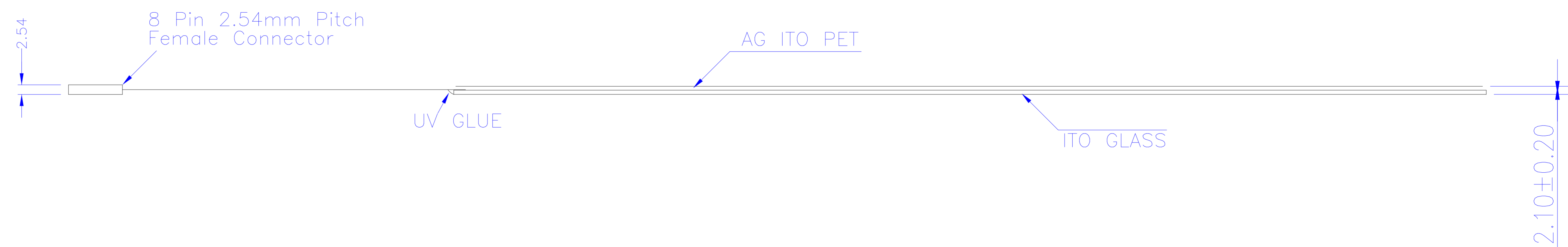
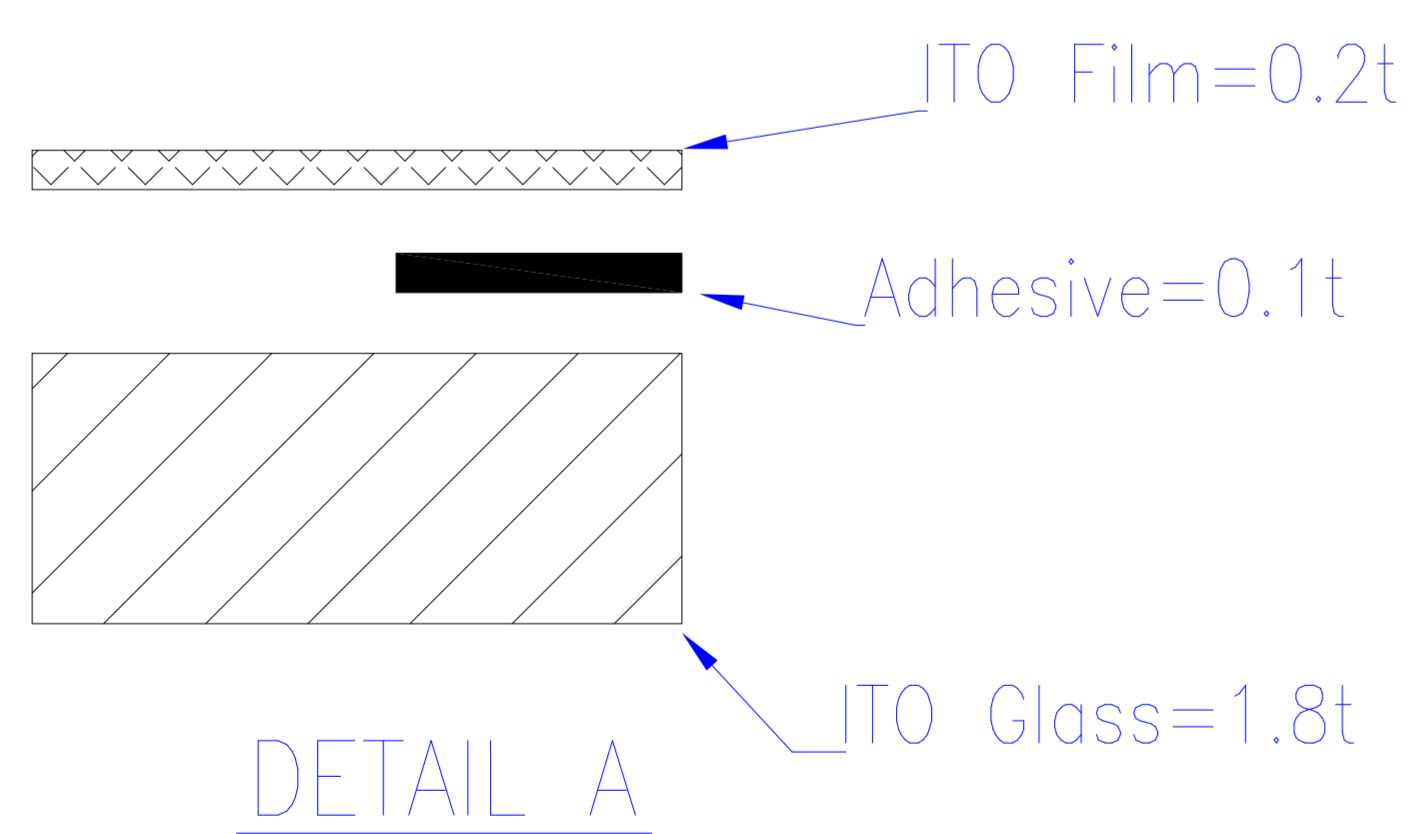
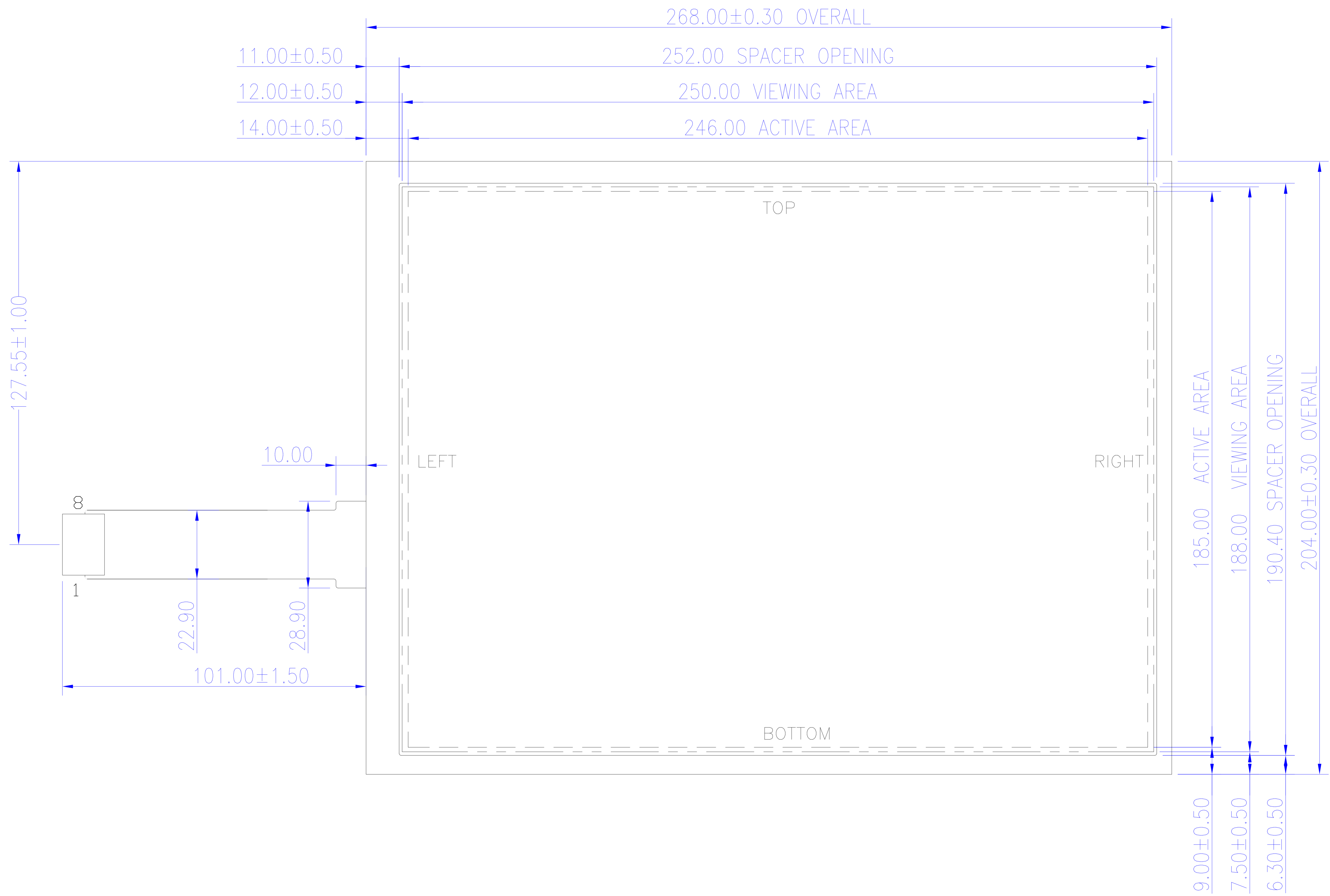


REVISION HISTORY	REV.	DATE	REVISOR	CHANGE
	A	10/12/11	PEH	UPDATED PRINT LAYOUT

CONNECTOR PINOUT	
PIN NO.	DESIGNATION
1	RIGHT
2	RIGHT SENSE
3	LEFT SENSE
4	LEFT
5	BOTTOM SENSE
6	BOTTOM
7	TOP SENSE
8	TOP



TOLERANCE	±0.50	DRAWN	PEH	DATE	10/12/11
SCALE AS "A"	2/5 X	CHECKED	PBC	DATE	10/12/11
SHT. SIZE: C+	UNITS: mm	APPROVED		DATE	

PART DESCRIPTION	12.1" 8-WIRE TOUCH SCREEN	
PART NO.	400430	
Rev.	-	Version A