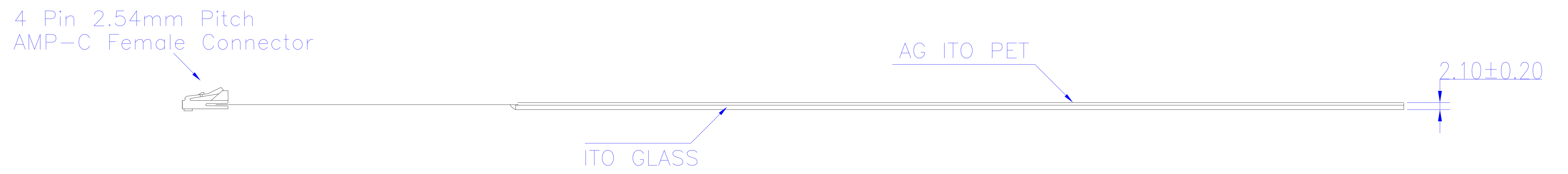
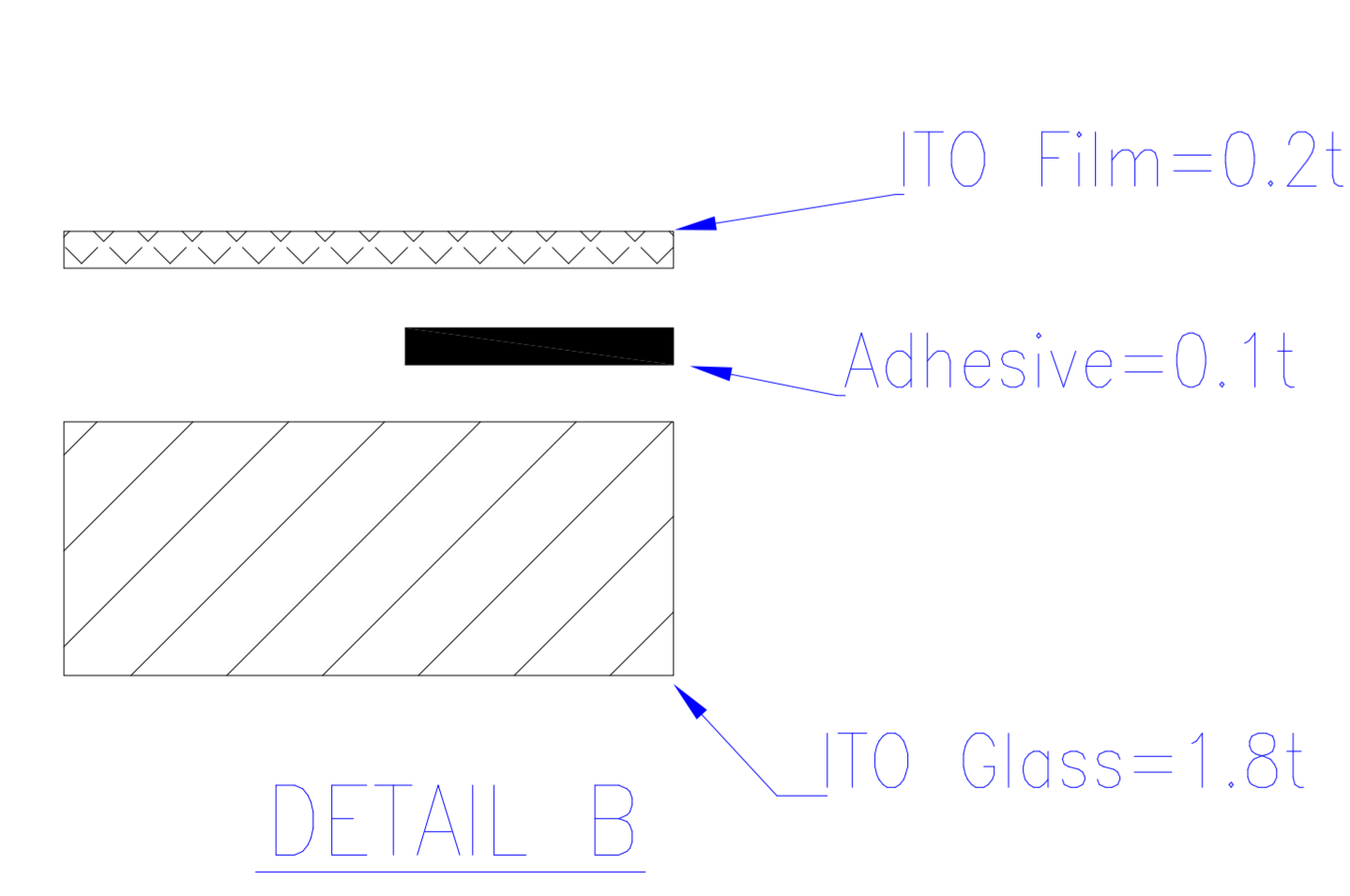
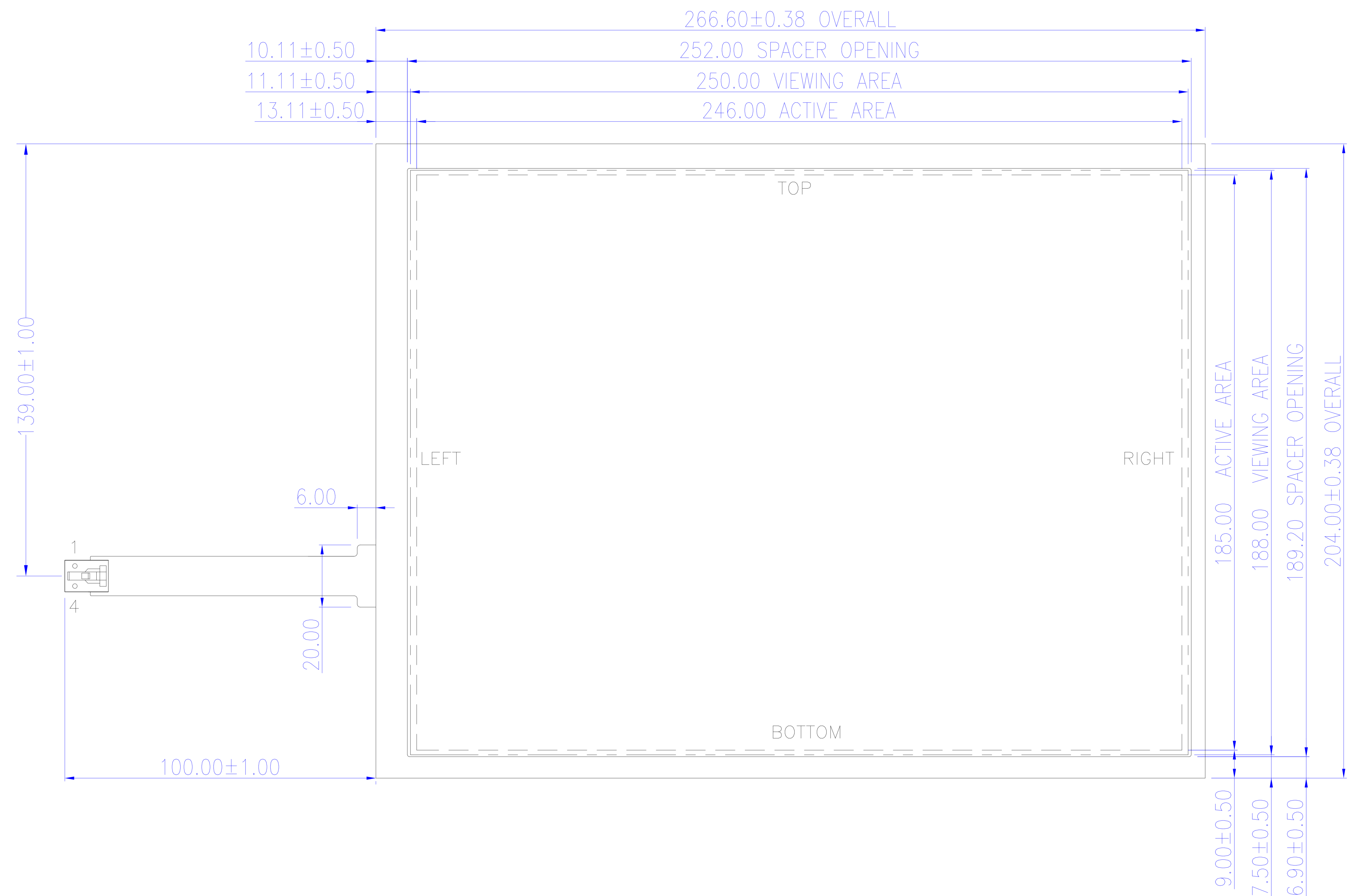
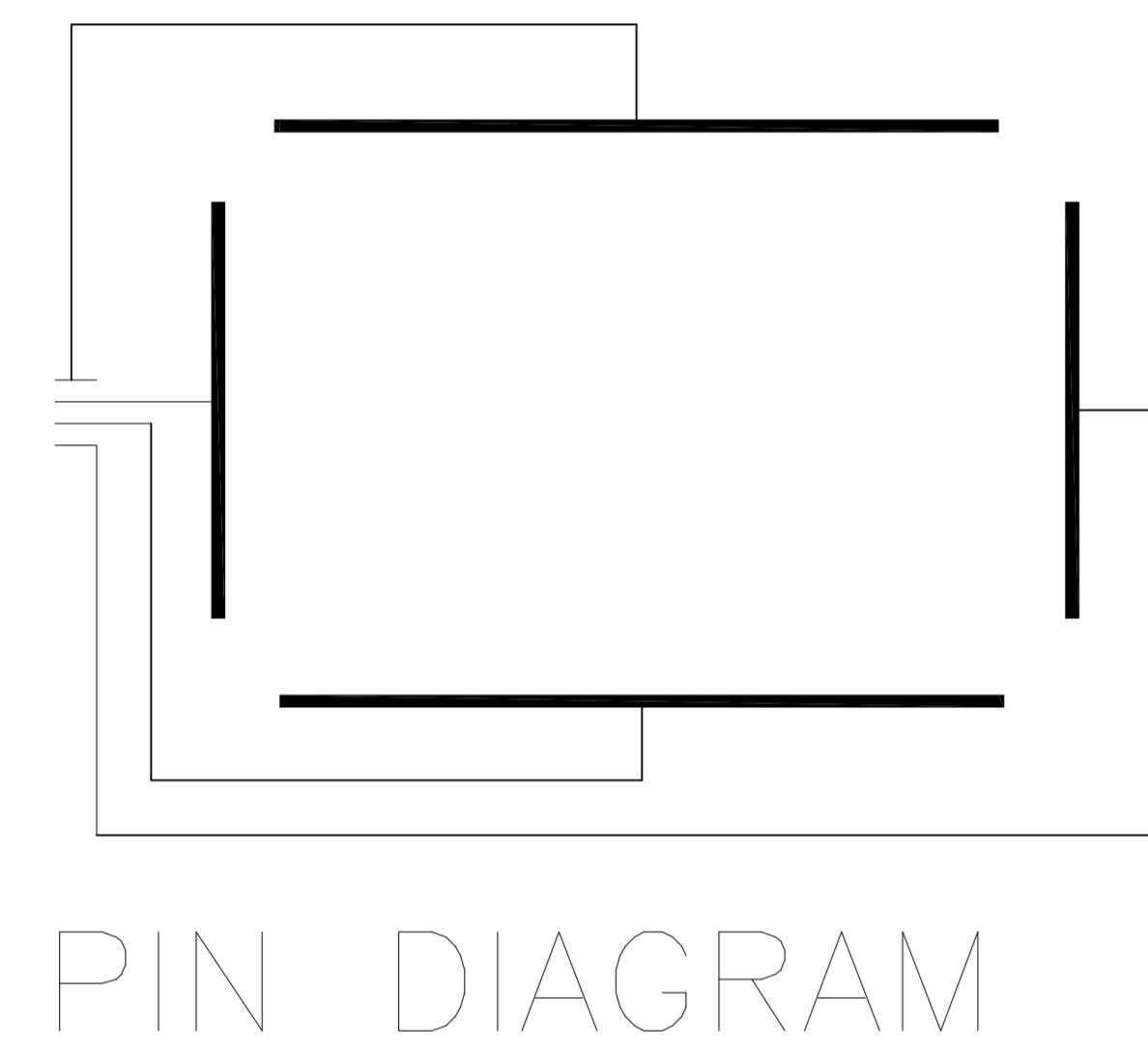


REVISION HISTORY	REV.	DATE	REVISOR	CHANGE
	A	10/12/11	PEH	UPDATED PRINT LAYOUT

CONNECTOR PINOUT	
PIN NO.	DESIGNATION
1	TOP
2	LEFT
3	BOTTOM
4	RIGHT



TOLERANCE	±0.50	DRAWN	PEH	DATE	10/12/11	PART DESCRIPTION	12.1" 4-WIRE TOUCH SCREEN				
SCALE AS "A"	2/5 X	CHECKED	PBC	DATE	10/12/11		PART NO.	400431	Rev.	—	Version
SHT. SIZE: C+	UNITS: mm	APPROVED		DATE							