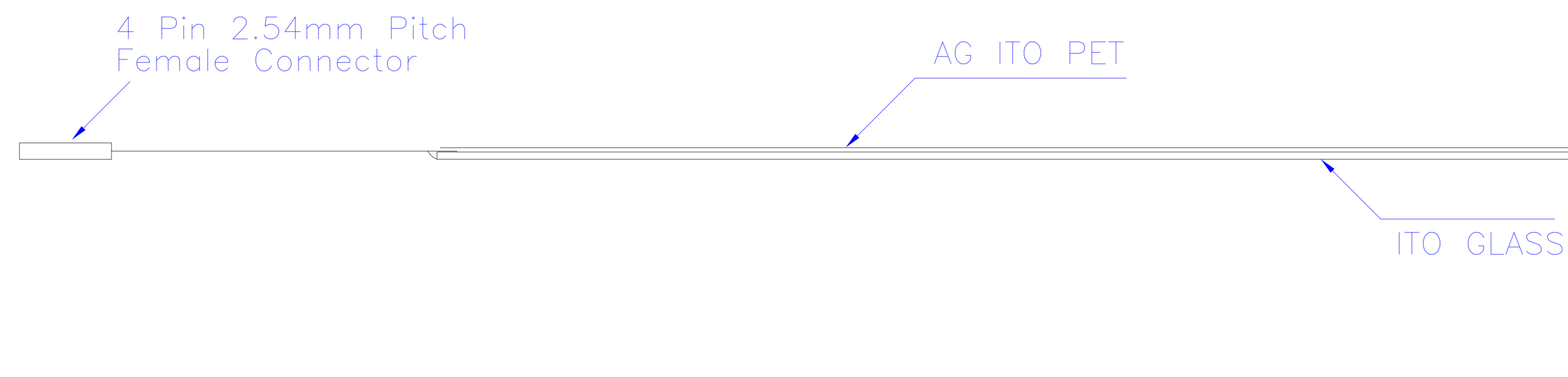
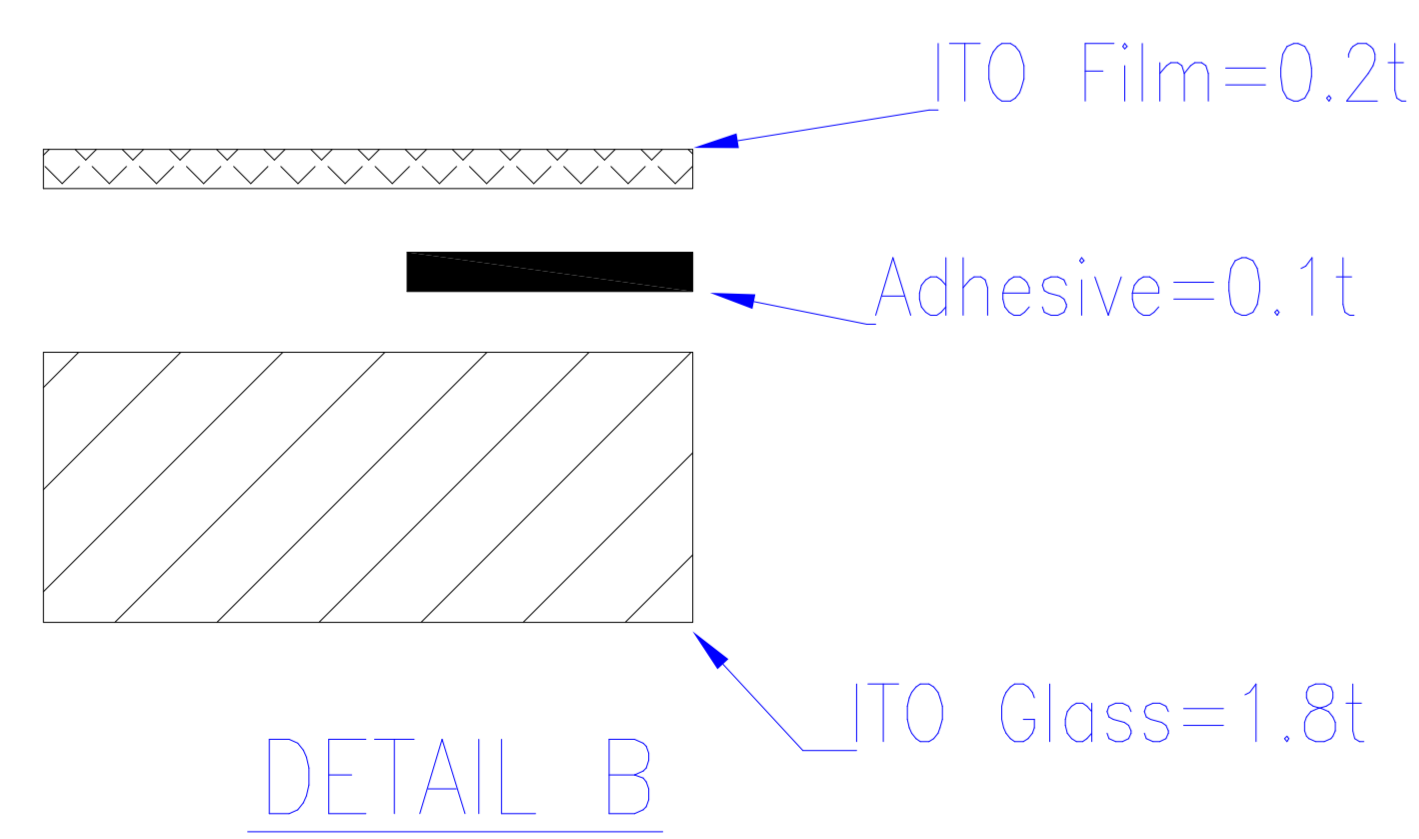
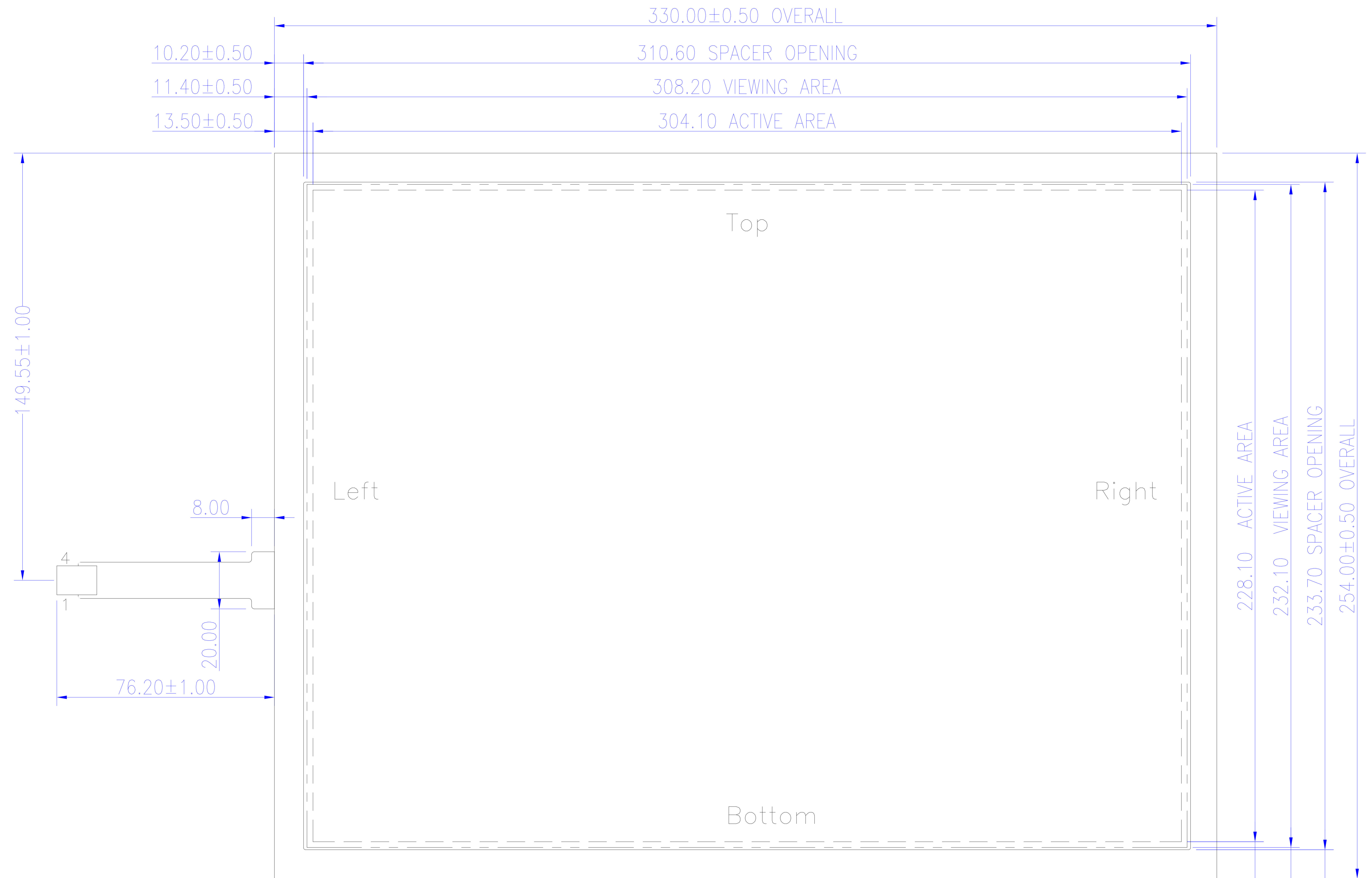
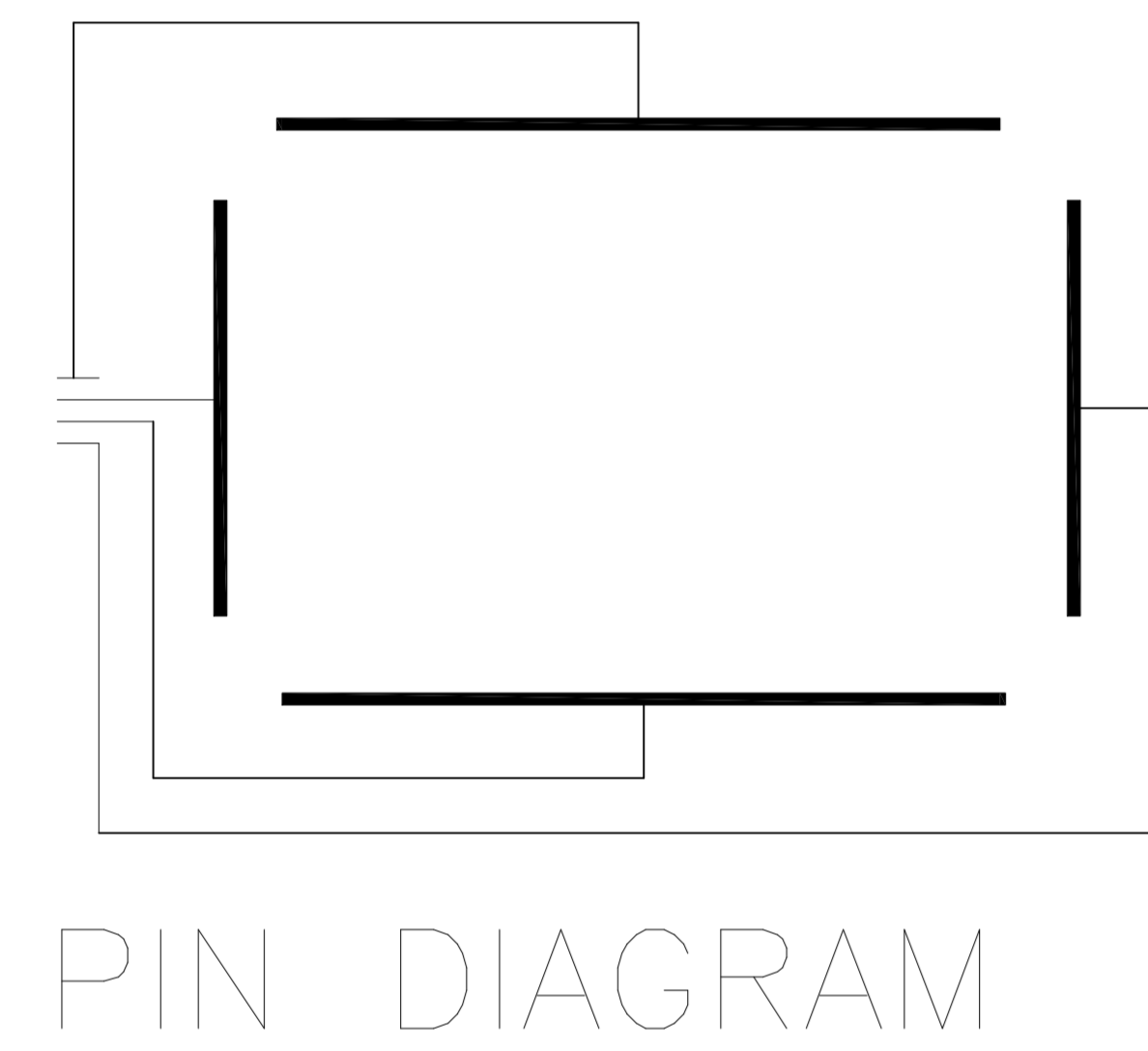


CONNECTOR PINOUT	
PIN NO.	DESIGNATION
1	RIGHT
2	BOTTOM
3	LEFT
4	TOP



TOLERANCE	±0.50	DRAWN	PEH	DATE	10/11/11	PART DESCRIPTION	15.0" 4-WIRE TOUCH SCREEN		
SCALE AS "A"	2/5 X	CHECKED	PBC	DATE	10/12/11		PART NO.	400433	Rev.
SHT. SIZE: C+	UNITS: mm	APPROVED		DATE					-