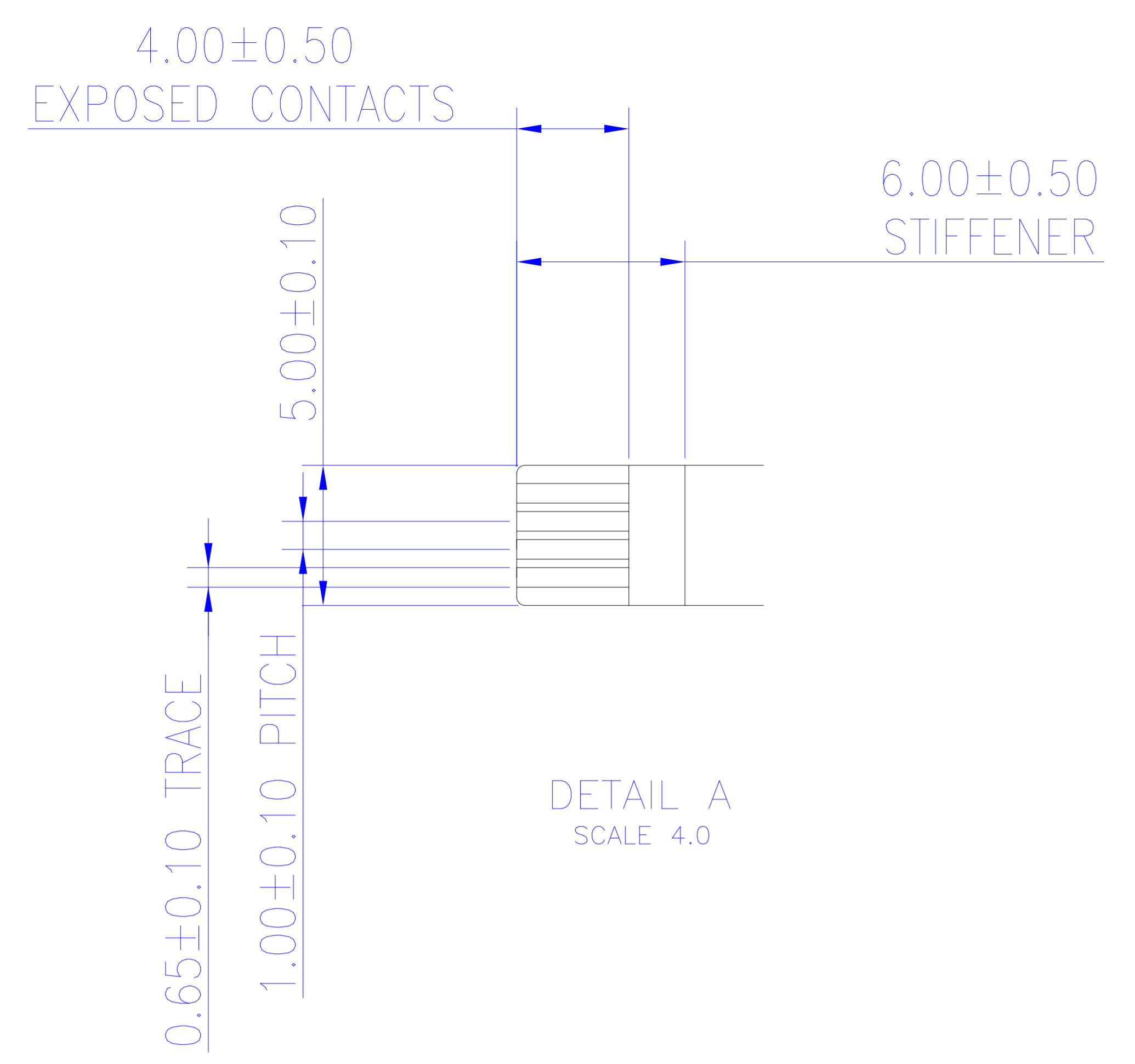
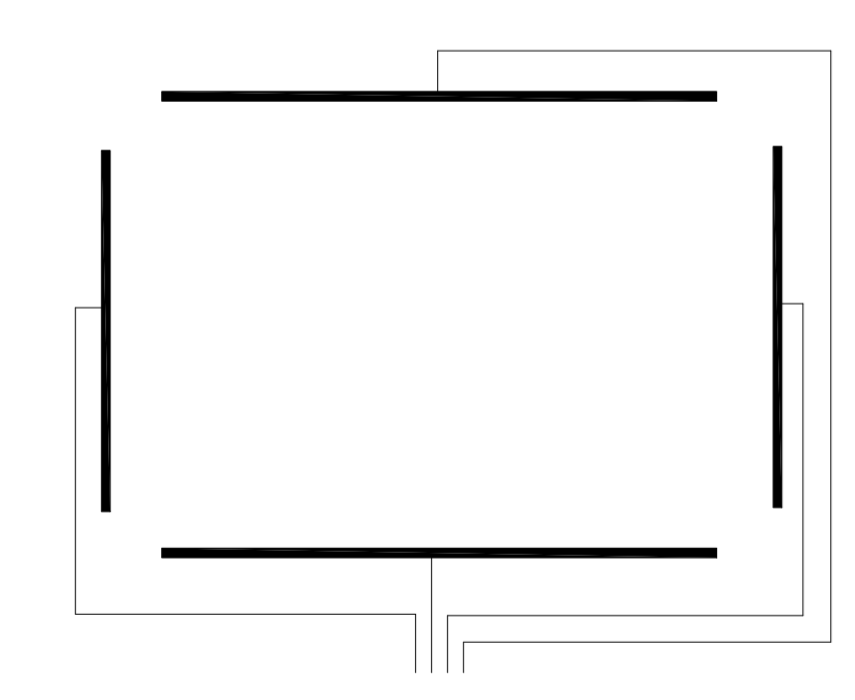


REVISION HISTORY	REV.	DATE	REVISOR	CHANGE
	A	10/06/11	PEH	UPDATED PRINT LAYOUT

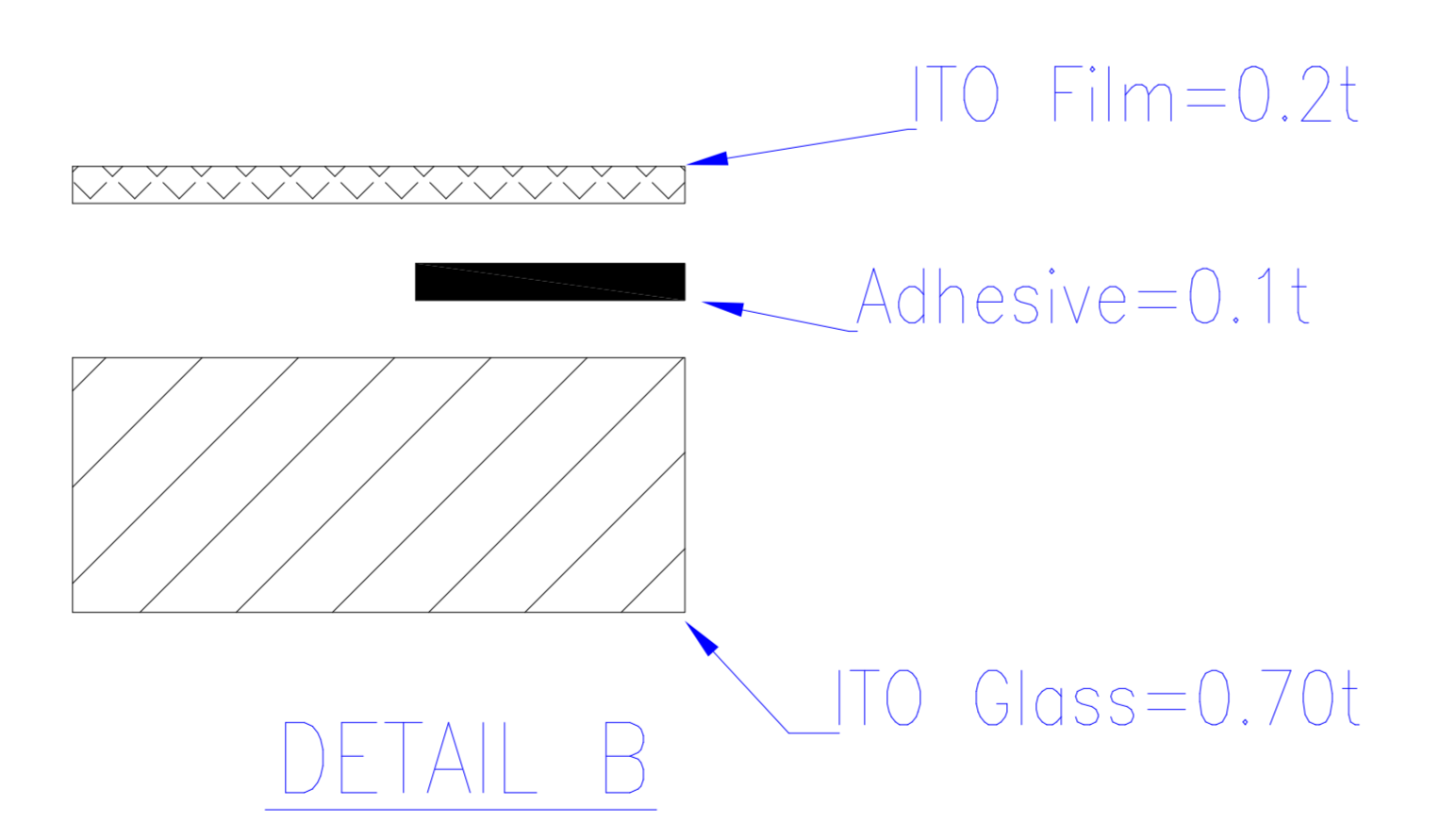
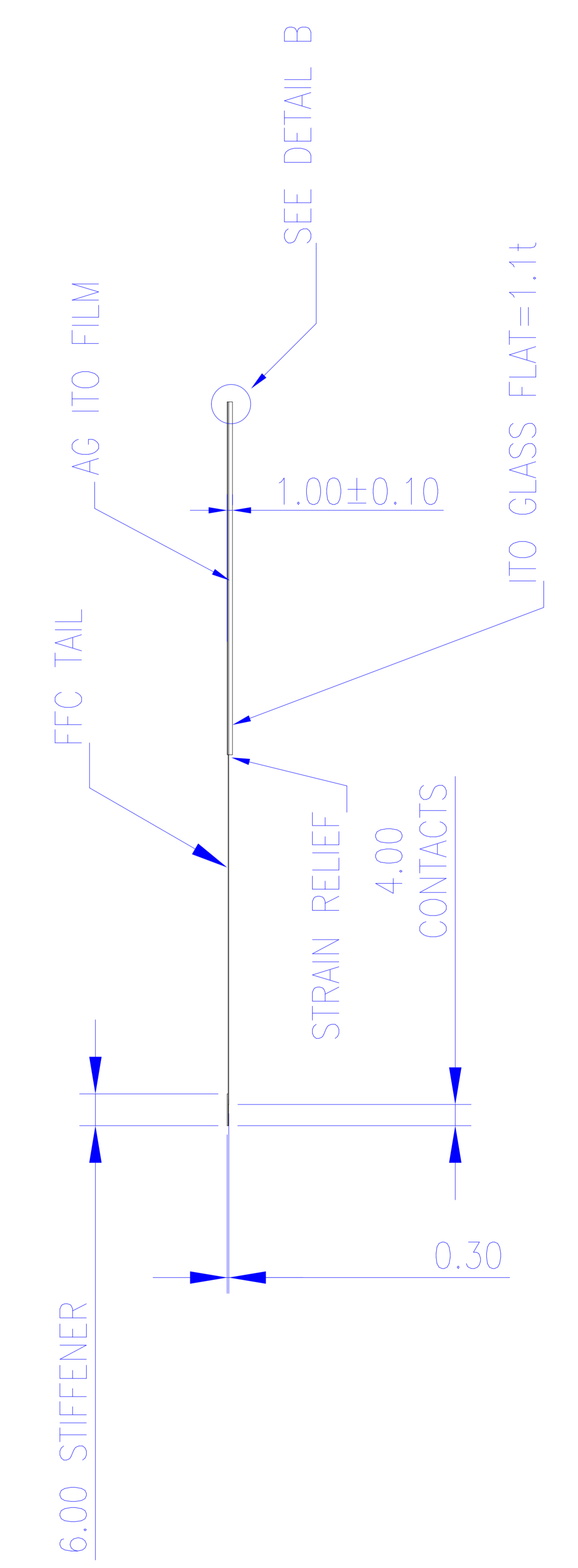
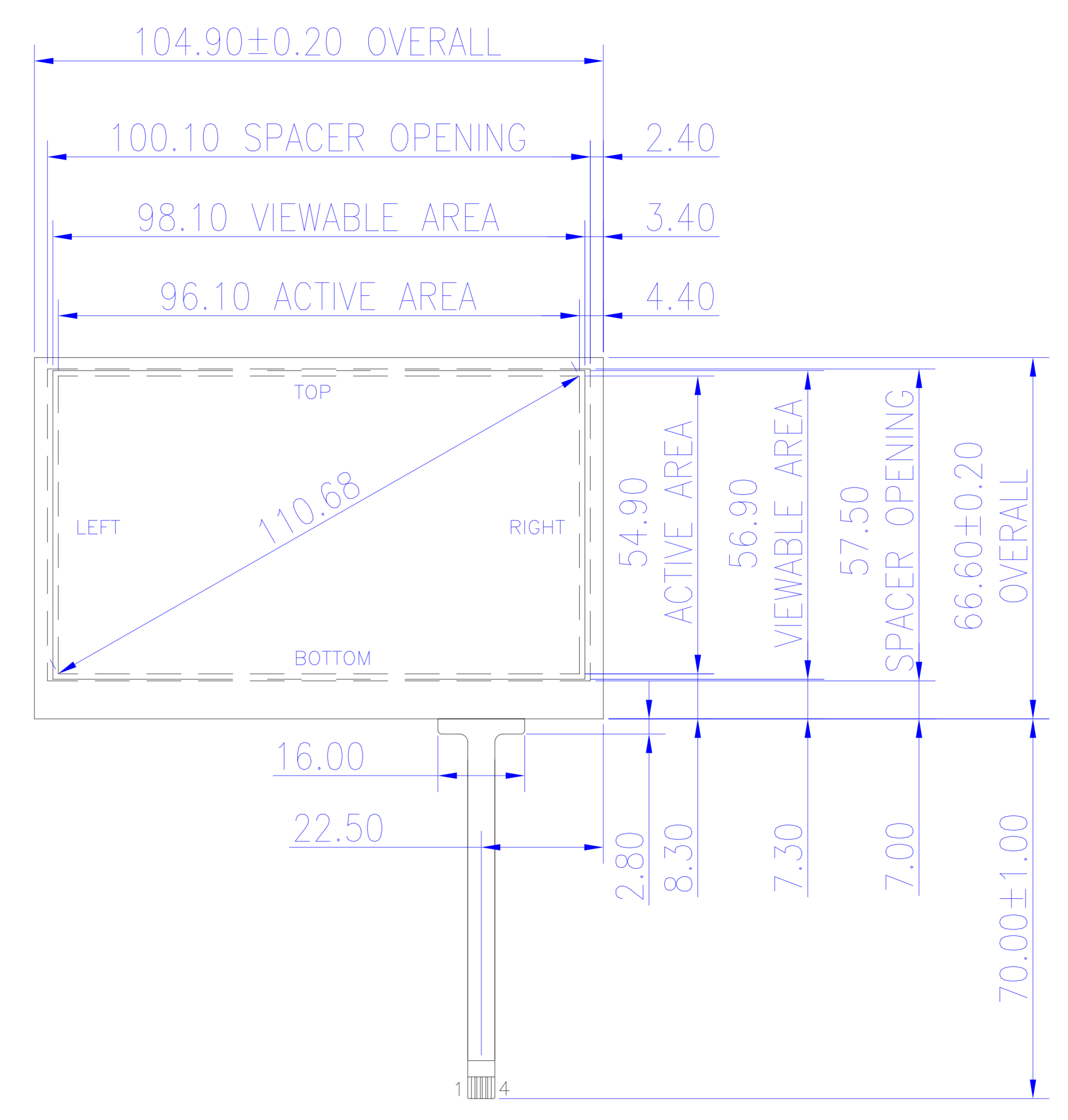


DETAIL A
SCALE 4.0

CONNECTOR PINOUT	
PIN NO.	DESIGNATION
1	LEFT
2	BOTTOM
3	RIGHT
4	TOP



PIN DIAGRAM



DETAIL B

TOLERANCE	±0.50	DRAWN	PEH	DATE	10/06/11
SCALE AS "A"	2/5 X	CHECKED	PBC	DATE	10/12/11
SHT. SIZE: C+	UNITS: mm	APPROVED		DATE	

PART DESCRIPTION	4.4" 4-WIRE TOUCH SCREEN		
PART NO.	400437	Rev.	Version
		-	A