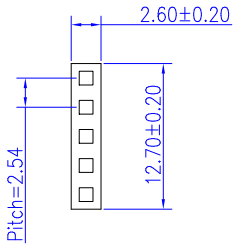
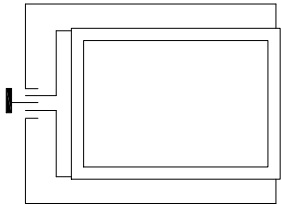


REVISION HISTORY	REV.	DATE	REVISOR	CHANGE
	A	10/12/11	PEH	UPDATED PRINT LAYOUT

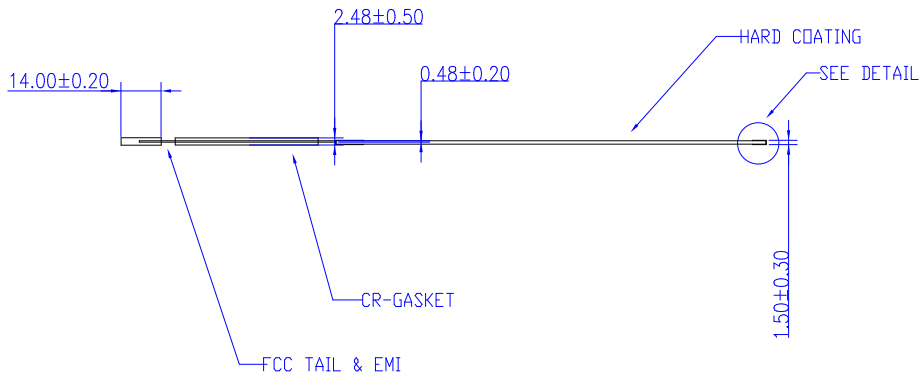
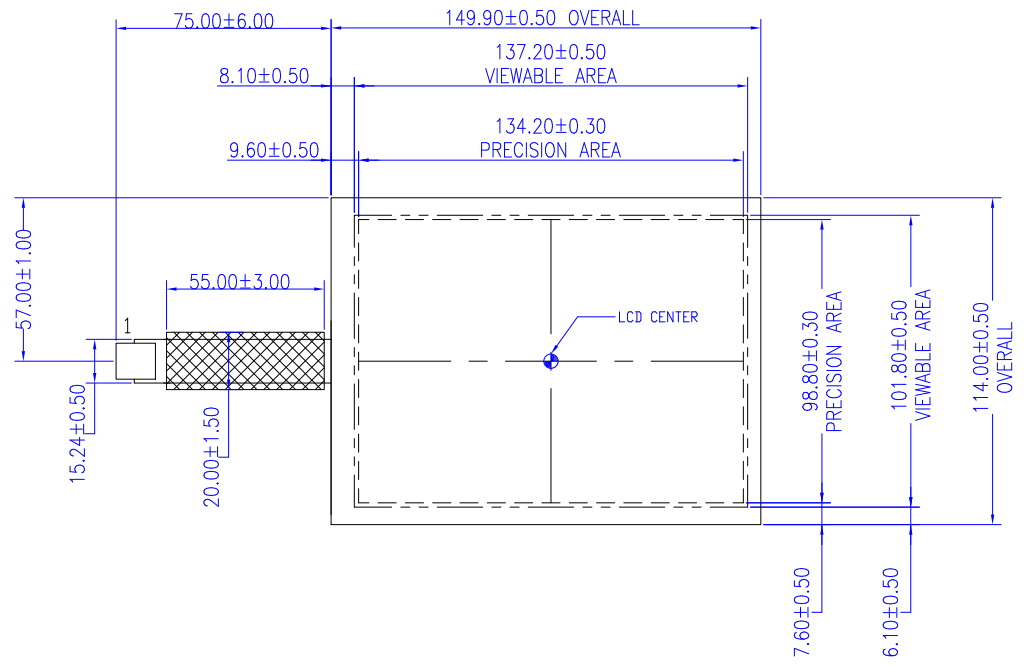
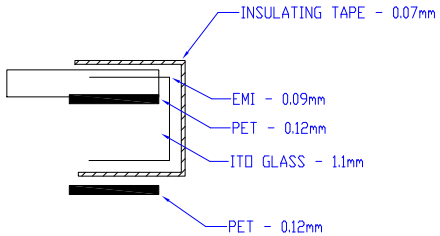



HOUSING

CONNECTOR PINOUT	
PIN NO.	DESIGNATION
1	RT
2	LT
3	SENSE
4	LL
4	RL



PIN DIAGRAM



 CANNON FALLS, MN 55009	TOLERANCE	±0.50	DRAWN	PEH	DATE	10/12/11	PART DESCRIPTION	6.4" SURFACE CAPACITIVE TOUCH SCREEN		
	SCALE AS "A"	2/5 X	CHECKED	PBC	DATE	10/14/11		PART NO.	400441	Rev. -
	SHT. SIZE: C+	UNITS: mm	APPROVED		DATE					