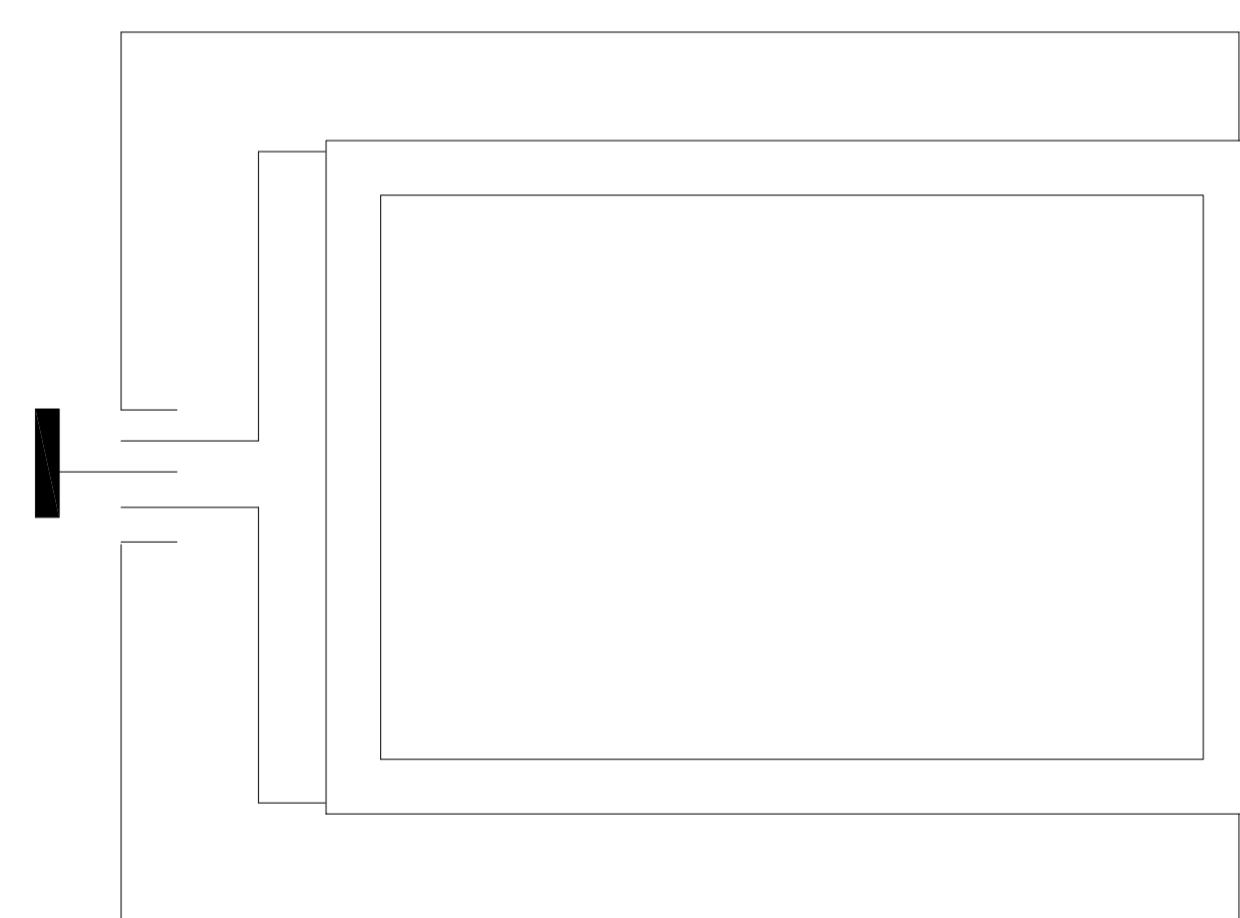
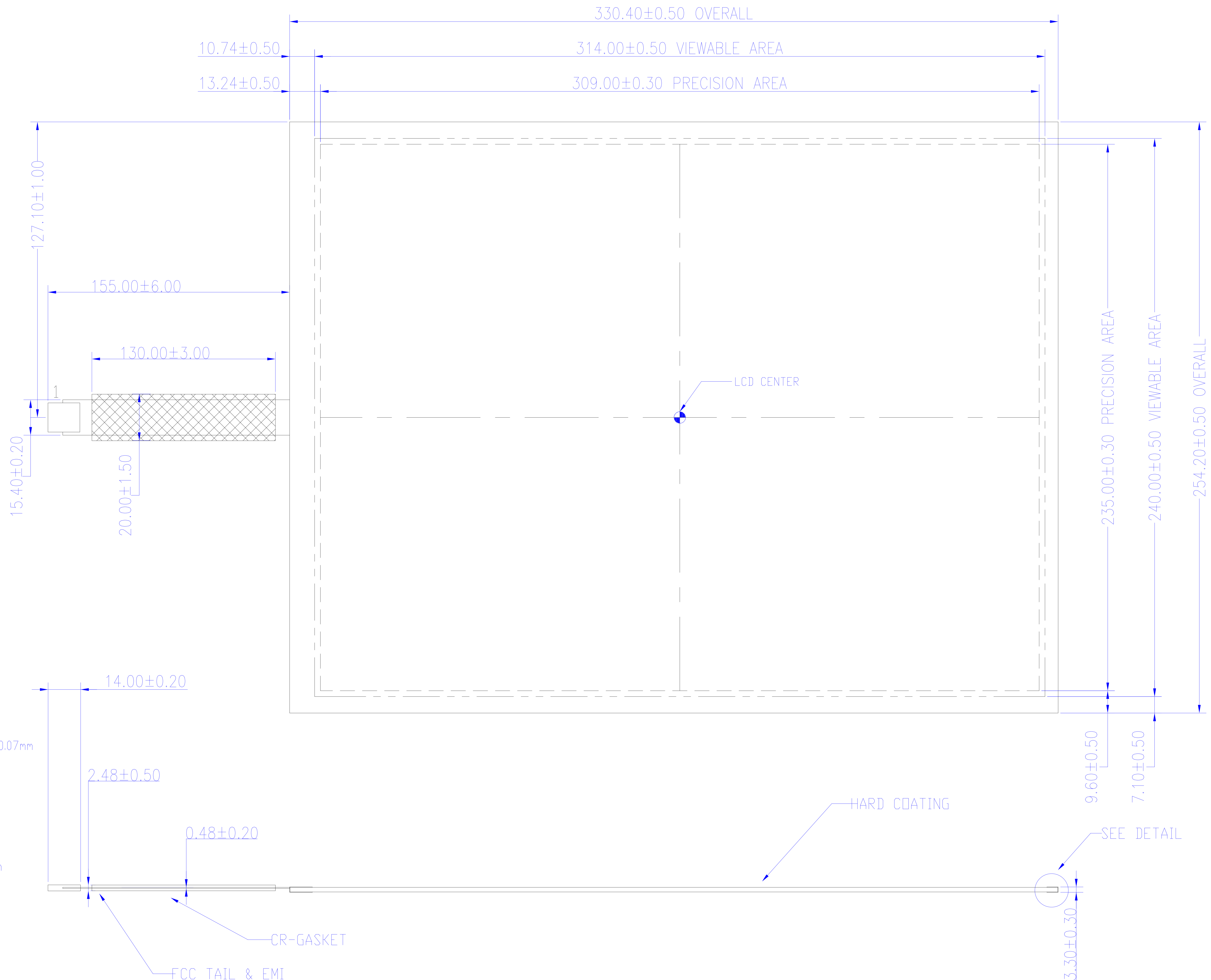
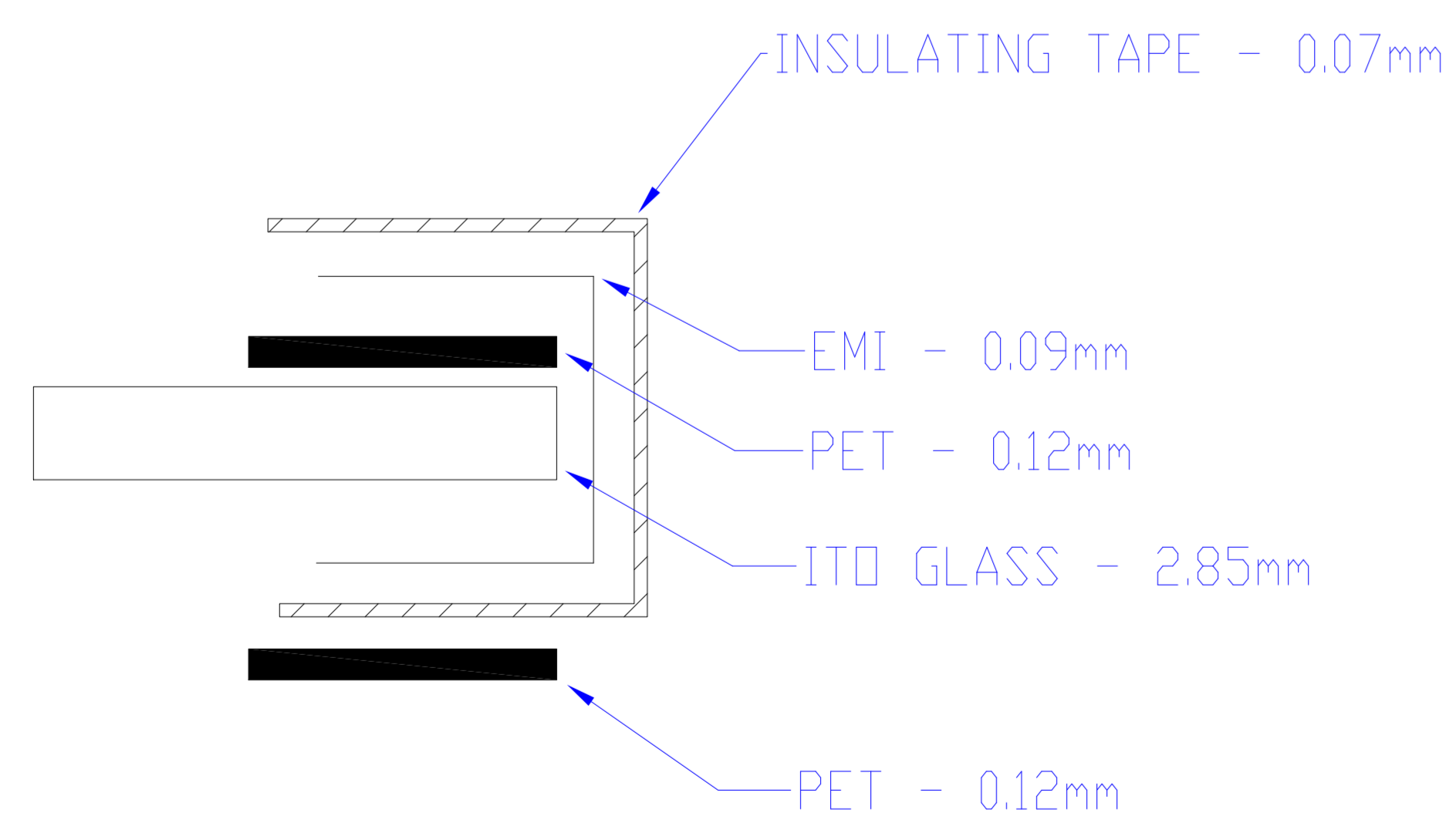


CONNECTOR PINOUT	
PIN NO.	DESIGNATION
1	RT
2	LT
3	SENSE
4	LL
4	RL



PIN DIAGRAM



TOLERANCE	±0.50	DRAWN	PEH	DATE	10/12/11	PART DESCRIPTION	15.1" SURFACE CAPACITIVE TOUCH SCREEN		
SCALE AS "A"	2/5 X	CHECKED	PBC	DATE	10/14/11		PART NO.	400445	Rev.
SHT. SIZE: C+	UNITS: mm	APPROVED		DATE					-