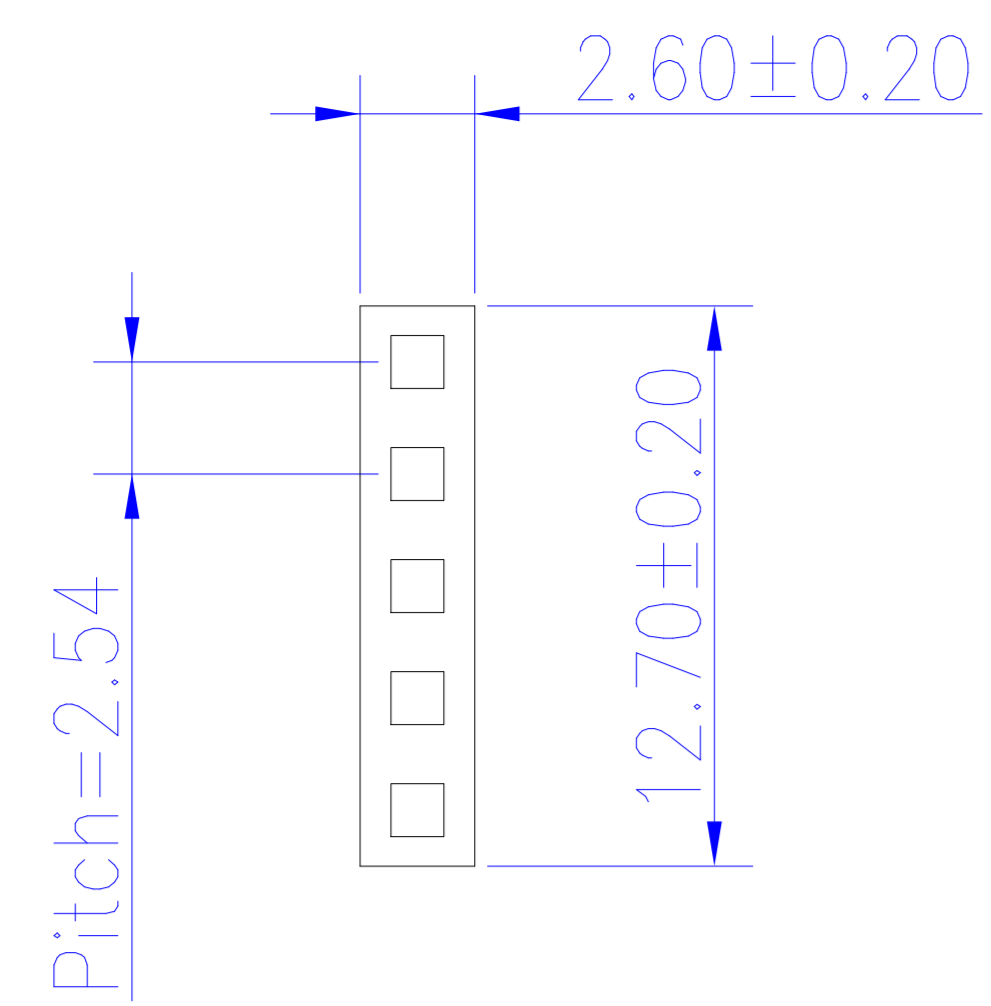
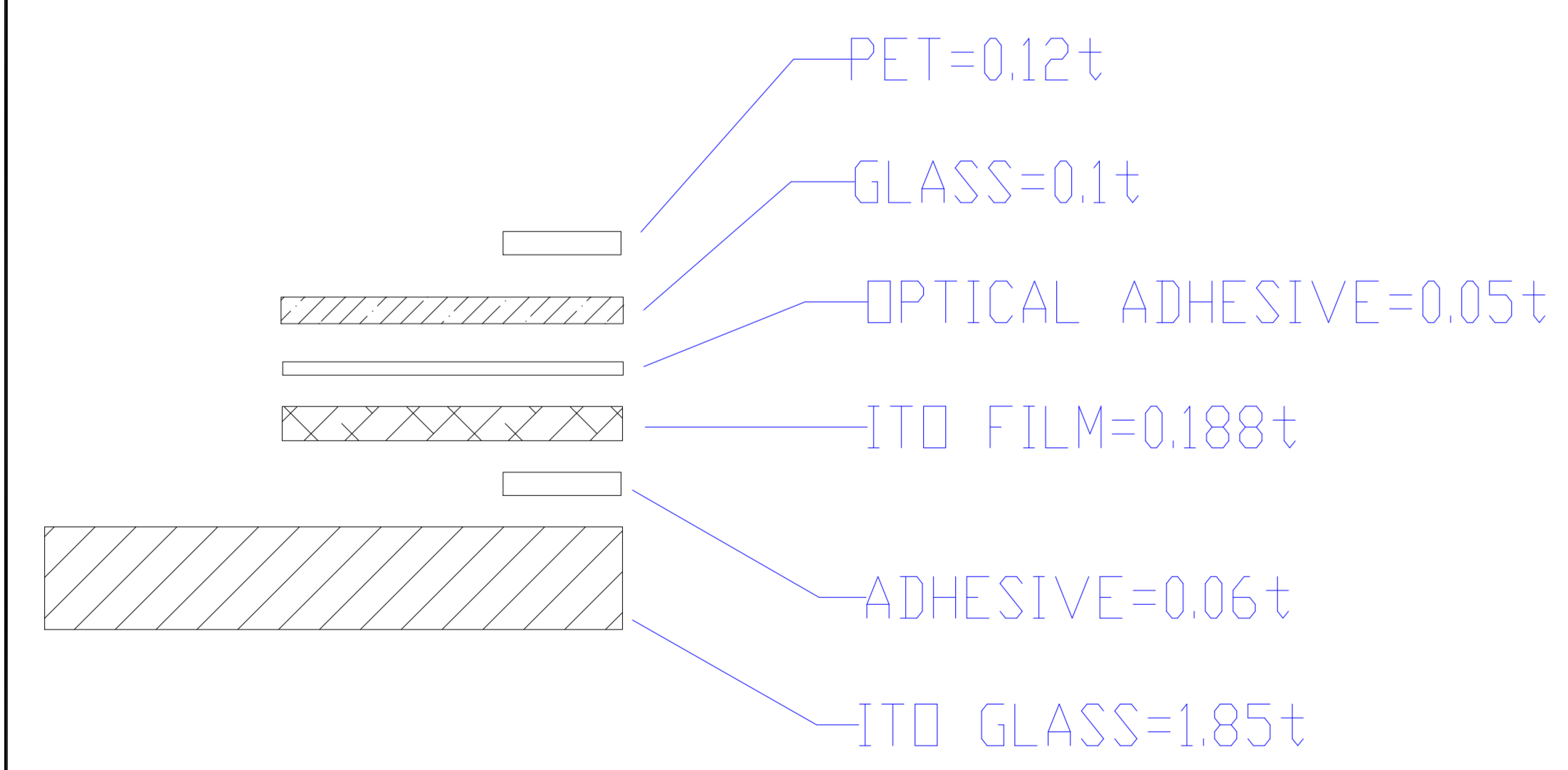
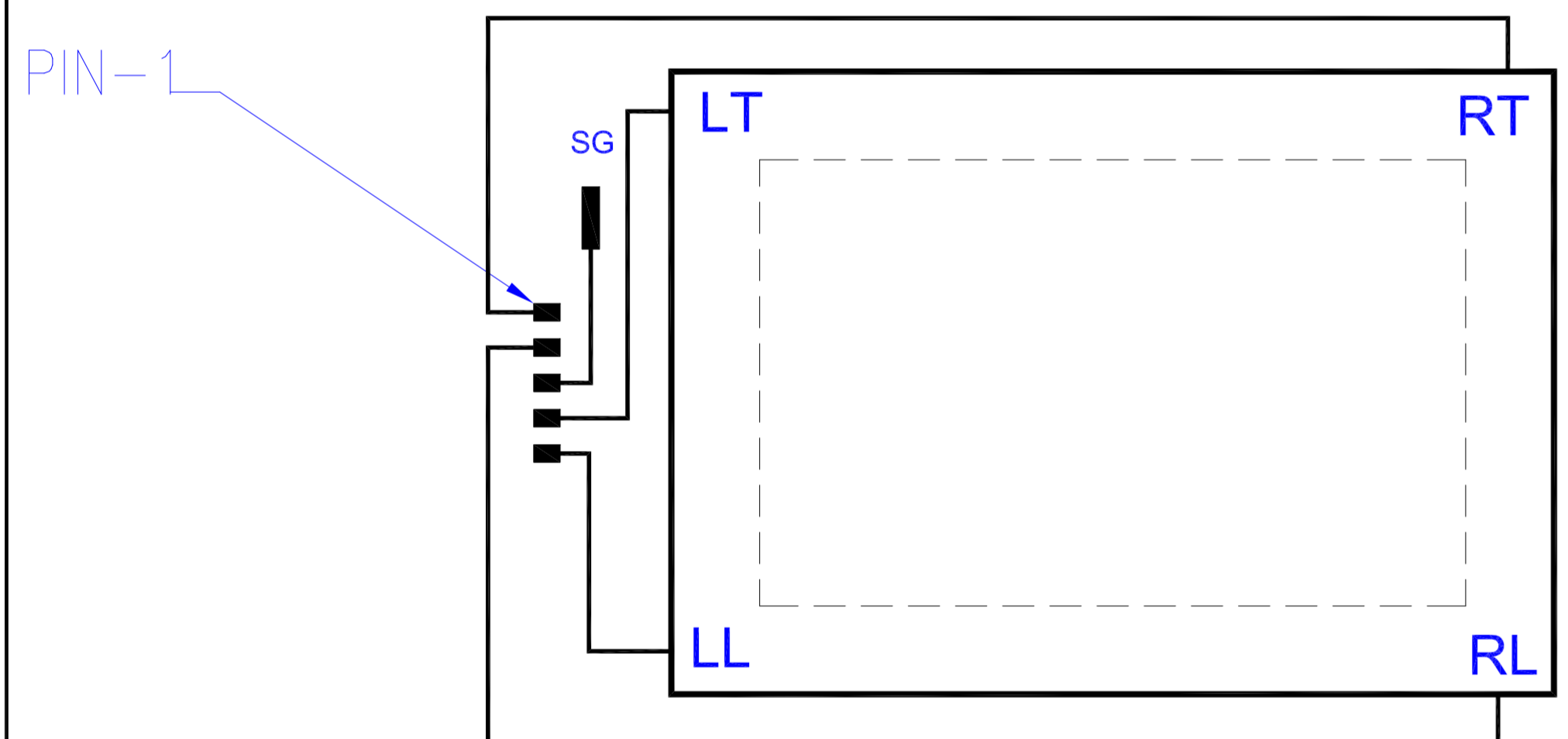
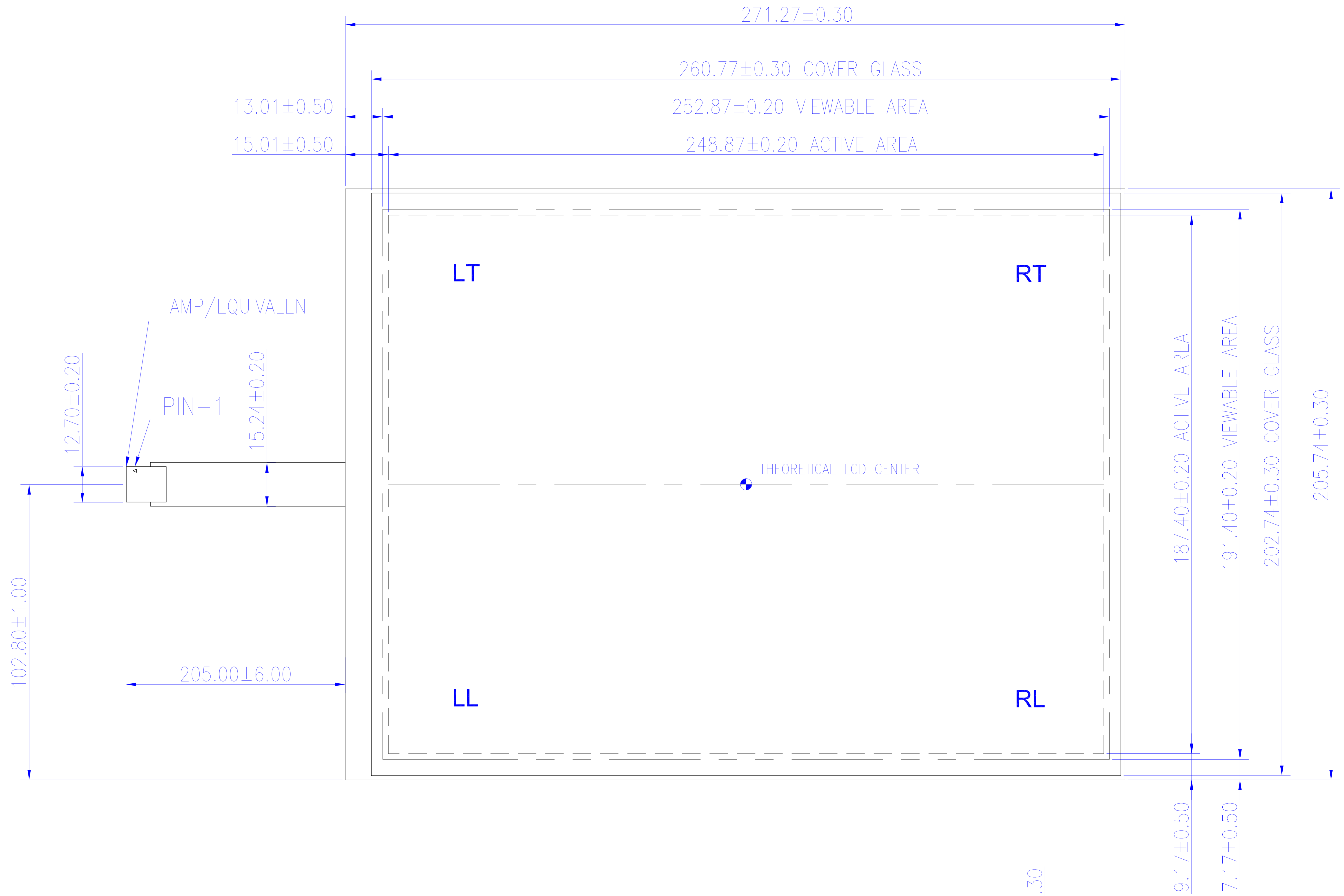


REVISION HISTORY	REV.	DATE	REVISOR	CHANGE
	A	10/05/11	PEH	UPDATED PRINT STYLE

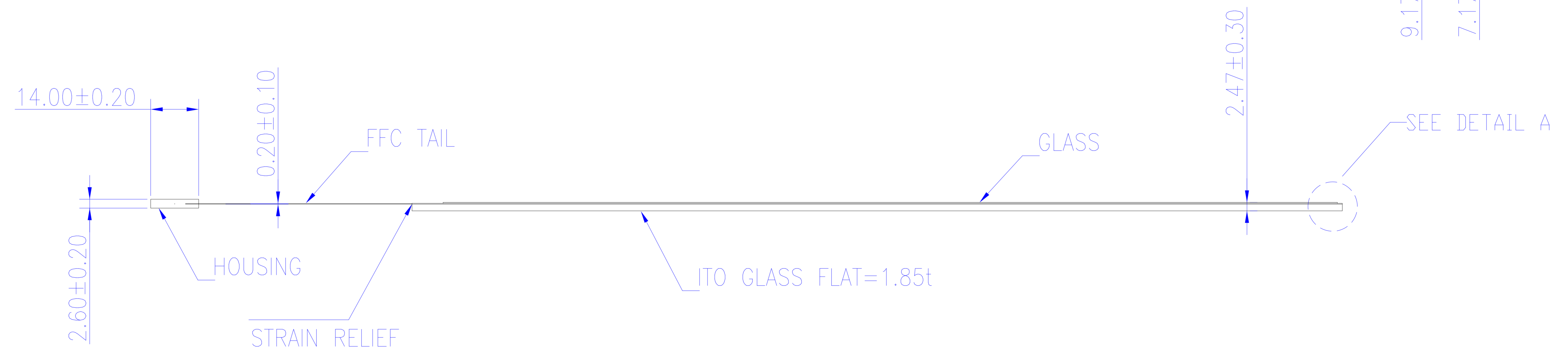


HOUSING

CONNECTOR PINOUT	
PIN NO.	DESIGNATION
1	RT
2	RL
3	SG
4	LT
5	LL



DETAIL A



TOLERANCE	AS SPEC'D	DRAWN	PEH	DATE	10/05/11	PART DESCRIPTION	12.1" DIAGONAL 5-WIRE TOUCHSCREEN		
SCALE AS "A"	2/5 X	CHECKED	PBC	DATE	10/12/11		PART NO.	400457	Rev.
SHT. SIZE: C+	UNITS: mm	APPROVED		DATE					-